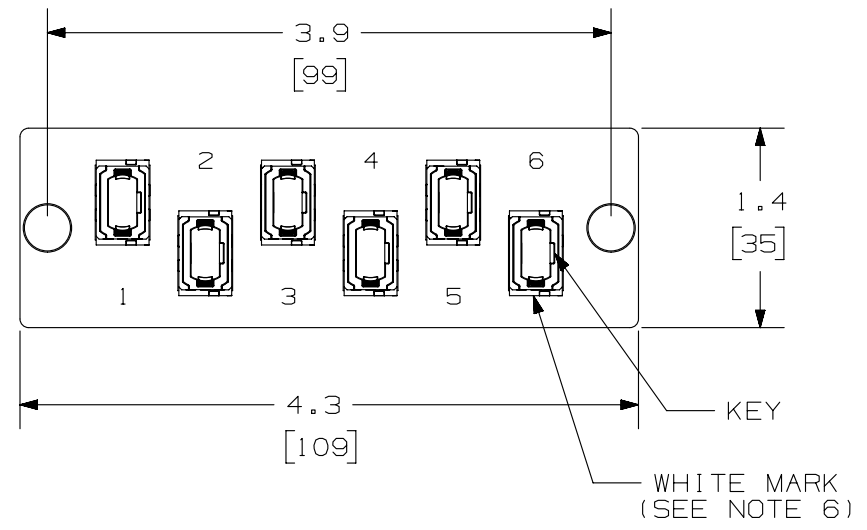
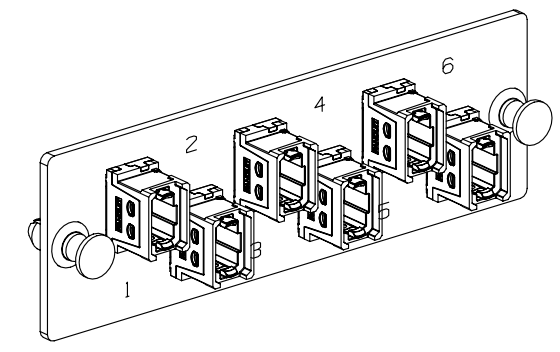
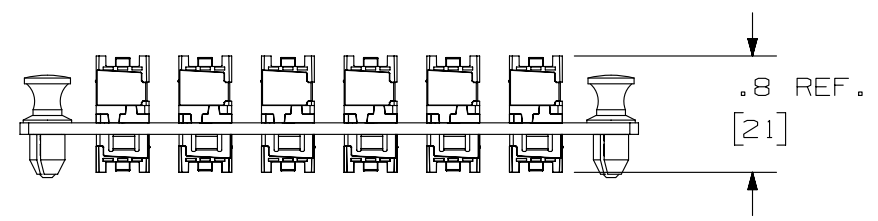


THIS COPY IS PROVIDED ON A RESTRICTED BASIS AND IS NOT TO BE USED IN ANY WAY DETRIMENTAL TO THE INTERESTS OF PANDUIT CORP.

- NOTES:
1. SEE CURRENT CATALOG FOR PART NUMBER SUFFIXES TO INDICATE COLOR AND/OR PACKAGE QUANTITIES.
 2. SEE CATALOG FOR COMPLETE LIST OF PARTS APPLICABLE FOR USE WITH THIS PRODUCT.
 3. MATERIALS:
 - A. PLATE: C.R.S. POWDER COATED.
 - B. ADAPTER: COMPOSITE WITH METAL CLIP.
 - C. ALL MATERIALS USED MEET THE MATERIAL RESTRICTIONS OF RoHS, (EUROPEAN DIRECTIVE 2011/65/EC ON THE RESTRICTION OF HAZARDOUS SUBSTANCES) AS PROPOSED BY THE RoHS TECHNICAL ADAPTATION COMMITTEE.
 4. ADAPTERS ARE SUPPLIED WITH TWO DUST PLUGS.
 5. DIMENSIONS IN BRACKETS ARE METRIC.
 6. WHITE MARK ON MPO ADAPTER CORRELATES TO FIRST FIBER ON INSTALLED MPO CONNECTOR.



DUST CAPS NOT SHOWN FOR CLARITY



00	10-08-13	BSN	WJM		RELEASED TO PRODUCTION				13F227AL-DC
REV	DATE	BY	CHK	APR	DESCRIPTION	ECN			

<p>TITLE</p> <p style="text-align: center;">6 POSITION HORIZONTAL MPO FIBER ADAPTER PANEL</p> <p style="text-align: center;">CUSTOMER DRAWING</p>									
ITEM REVISION NAME					13F227AL/00				
DATASET FILE NAME					13F227AL_DC/00A				
<p>UNLESS OTHERWISE SPECIFIED, DIMENSIONAL TOLERANCES ARE: IN (mm)</p> <p>.x ± .xxx ± .010 (0.3) .xx ± .03 (0.8) ANGLES ±</p>									
PART NO.					<p style="text-align: center;">PANDUIT</p> <p style="text-align: center;">FAPH0624RDMP0</p>				
DRAWING NUMBER:					13F227AL-DC				
DRAWN BY	DATE	CHK	SCALE						
BSN	10-08-13	WJM	NONE						
				THIRD ANGLE PROJECTION		SHT 1 OF 1		SIZE	
								A	