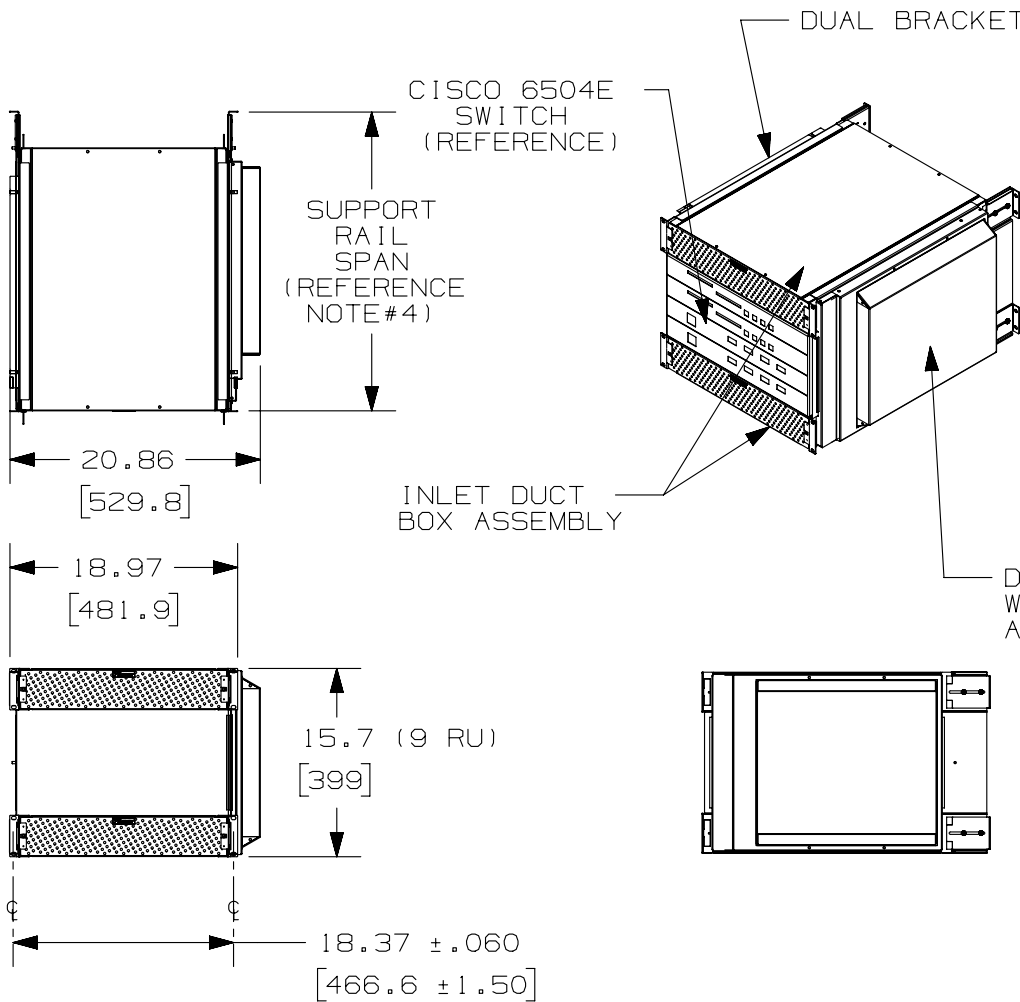


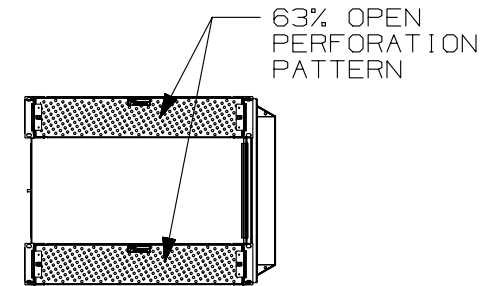
THIS COPY IS PROVIDED ON A RESTRICTED BASIS AND IS NOT TO BE USED IN ANY WAY DETRIMENTAL TO THE INTERESTS OF PANDUIT CORP.



PANDUIT PART NO.	WEIGHT
CNLTD52A2	44.19 LBS/EACH 20.04 kg/EACH

NOTES:

- VISIT OUR CATALOG ON-LINE AT WWW.PANDUIT.COM FOR A LIST OF CURRENT PARTS APPLICABLE FOR USE WITH THIS PRODUCT.
- PARTS SUPPLIED:
1 - DUAL BRACKET
1 - DUAL BRACKET W/DUCTING ASSEMBLY
1 - MOUNTING HARDWARE KIT
2 - INLET DUCT BOX ASSEMBLIES
- DIMENSIONS IN PARENTHESSES ARE METRIC (mm).
- SUPPORT RAILS ADJUST FROM 24.25" TO 26.0" [615-660].



TITLE INLET DUCT FOR CISCO 6504E (CNLTD52A2) CUSTOMER DRAWING	
ITEM REVISION NAME 09V126ZC/00	PANDUIT
DATASET FILE NAME 09V126ZC_DC/00B	
MATERIAL: N/A	
DRAWING NUMBER: 09V126ZC	
DRAWN BY ERK	DATE 08/11/11
CHK	SCALE N/A
SHT 1 OF 4	
SIZE A	

REV	DATE	BY	CHK	APR	DESCRIPTION	ECN
00B	03/05/13	PJST			RELEASED TO PRODUCTION	09V126ZC

D10100DA/15

2

1

NET-ACCESS SWITCH CABINET (N*** or CN***)

EXHAUST OF CISCO 6504E SWITCH (REFERENCE)

SUPPORT RAILS ADJUST FROM 24.5" TO 26.0" DEPTH

CISCO 6504E SWITCH (REFERENCE, (PORT SIDE OF SWITCH FACES COLD AISLE))

VERTICAL BLANKING PANEL

2RU INLET DUCTING WITH INTEGRATED PERFORATION

SIDE DUCT

REAR OF CABINET (FACES HOT AISLE)

FRONT OF CABINET (FACES COLD AISLE)

1. VERTICAL BLANKING PANELS MUST BE USED WITH WHIS PRODUCT TO PREVENT EXHAUST RECIRCULATION.

TITLE										INLET DUCT FOR CISCO 6504E (CNLTD52A2)									
										CUSTOMER DRAWING									
ITEM REVISION NAME					09V126ZC/00					PANDUIT									
DATASET FILE NAME					09V126ZC_DC/00B														
										MATERIAL:									
										N/A									
										DRAWING NUMBER:									
										09V126ZC									
DRAWN BY		DATE		CHK		SCALE		SHT 2 OF 4		SIZE									
ERK		08/11/11				N/A				A									

00B	03/05/13	PJST			RELEASED TO PRODUCTION	09V126ZC
REV	DATE	BY	CHK	APR	DESCRIPTION	ECN

2

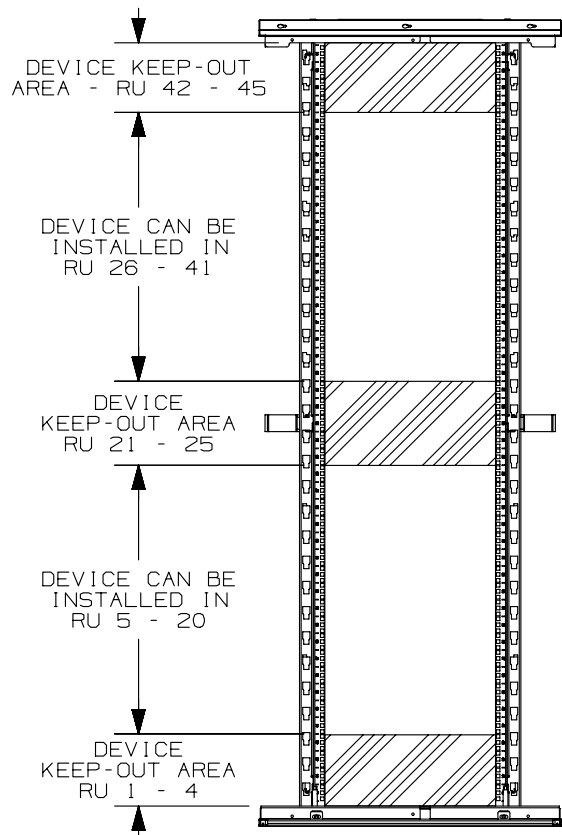
1

2

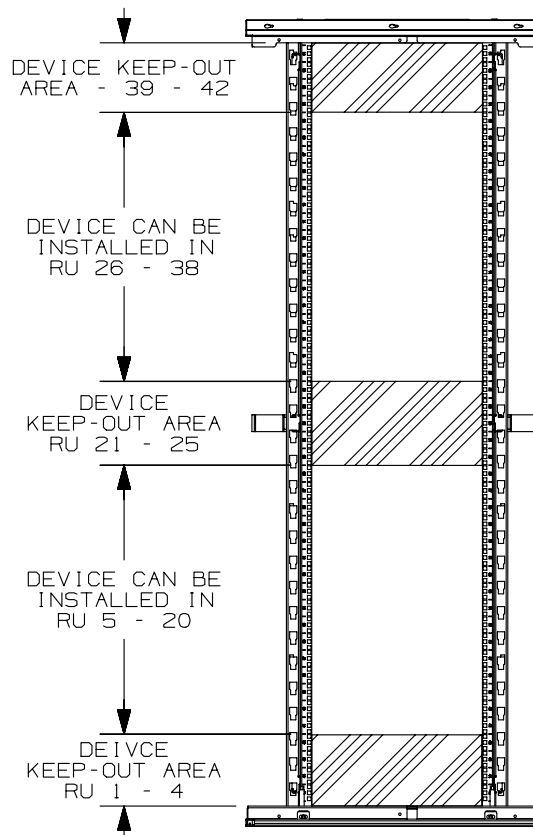
1

DUE TO PHYSICAL CONSTRAINTS POSED BY FRONT-TO-BACK FRAME BEAMS ON THE LEGACY NET-ACCESS CABINET, THERE ARE CERTAIN AREAS OF THE CABINET THAT THE DEVICE CANNOT BE MOUNTED WHEN USED IN CONJUNCTION WITH THIS INLET DUCT.

45 RU NET-ACCESS
CN*** CABINET (LEGACY)



42 RU NET-ACCESS
CN*** CABINET (LEGACY)



FOR NEW NET-ACCESS SWITCH CABINETS (N***), THERE ARE NO DEVICE KEEP-OUT AREAS. THE ONLY RESTRICTION ON DEVICE PLACEMENT IS THAT 2 RU MUST BE LEFT OPEN ABOVE AND BELOW THE SWITCH.

NOTE: NUMBERS-UP RU NUMBERING (#1 AT BOTTOM) ASSUMED

TITLE		INLET DUCT FOR CISCO 6504E (CNLTD52A2)		
		CUSTOMER DRAWING		
ITEM REVISION NAME		09V126ZC/00		
DATASET FILE NAME		09V126ZC_DC/00B		
		PANDUIT		
		MATERIAL: N/A		
		DRAWING NUMBER: 09V126ZC		
DRAWN BY	DATE	CHK	SCALE	SIZE
ERK	08/11/11		N/A	A
		SHT 3 OF 4		

00B	03/05/13	PJST			RELEASED TO PRODUCTION	09V126ZC
REV	DATE	BY	CHK	APR	DESCRIPTION	ECN

2

1