

Part number

MGP 06.32



Surface mounting housing, IP68 series, for 2 screws, M32 cable entry, size "44.27"

Product description		Material properties	
Product type	Surface mounting housing	Main material	Aluminium die-cast
Series	IP68	Other materials	Gasket: NBR
Closing type	With 2 screws	Colour	RAL 9005 black
Size	Size 44.27	RoHs conformity	Compliant
Cable entry	With cable entry M32	China RoHs - EFUP	E
Technical data		REACH SVHC substances	No
IP degree of protection	IP66 / IP68 / IP69	Approvals / Standards	
Further technical details		Certifications	DNV, BV
Weight	774,00 g	UL	ECBT2
Operating temperature range (min, max)	-40°C...+125°C	cUL	ECBT8
		General ordering information	
		EAN13 code	8015747145879
		eCl@ss 8.1	27440202
		ETIM 7.0	EC000437
		Packaging Information	
		Packaging length	180,00 mm
		Packaging height	120,00 mm
		Packaging width	155,00 mm
		Packaging weight	1,55 kg
		Packaging volume	3,35 dm ³
		Packaging description	Carton box
		Packaging quantity	2 Pcs
		Packaging EAN code	8015747146005
		Sub-packaging weight	0,78 kg
		Sub-packaging description	Plastic packaging
		Sub-packaging quantity	1 Pcs
		Sub-packaging EAN barcode	8015747146012

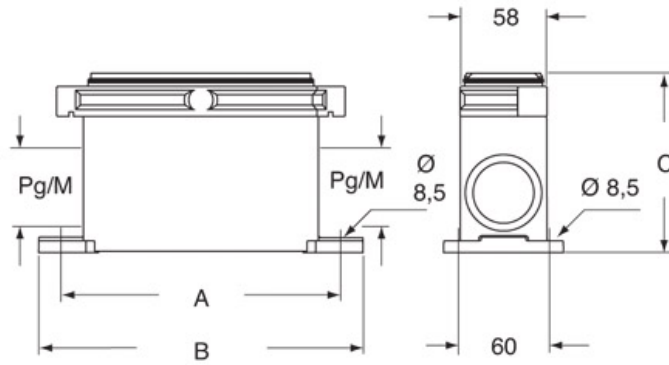
Part number

MGP 06.32



Catalogue drawings

CGP - MGP



	A	B	C
CGP 06 - MGP 06	127	156	110
CGP 10 - MGP 10	140	169	110
CGP 16 - MGP 16	160	189	121
CGP 24 - MGP 24	187	216	121

Notes

Dimensions shown in mm are not binding and may be changed without notice.