



Residual current circuit breakers (RCCB) with overcurrent protection
P1RE
1P+N
2
IEC

Product designation

Product type designation

Number of poles

Number of DIN modules

Compliance

Electrical features

| | | |
|---|--------|-------|
| Rated insulation voltage U_i IEC/EN | V | 400 |
| Rated impulse withstand voltage U_{imp} | kV | 4 |
| Rated operational voltage AC (IEC) | VAC | 230 |
| Rated frequency | Hz | 50/60 |
| Rated current (I_n) | A | 6 |
| Tripping curve | | C |
| Residual operation characteristic | | A |
| Rated residual current | mA | 30 |
| Short circuit rating (IEC) | kA | 10 |
| Electrical life | cycles | 10000 |

Ambient conditions

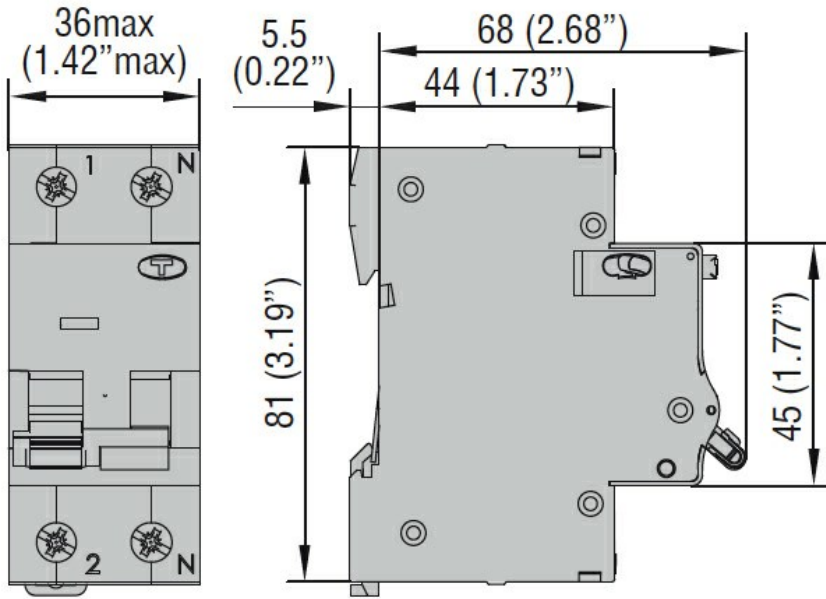
| | | | |
|-----------------------|-----|------|-----|
| Operating temperature | min | °C | -25 |
| | max | °C | +60 |
| Storage temperature | min | °C | -40 |
| | max | °C | +80 |
| Max altitude | m | 2000 | |

Mechanical features

| | | | | |
|---------------------------------|-----------|---------------|-----------------|----|
| Operating position | normal | Vertical plan | | |
| | | 35mm DIN rail | | |
| Fixing | | | | |
| Tightening torque for terminals | max | Nm | 2 | |
| | max | Ibin | 15 | |
| Terminals tool | | | Pz 2 | |
| Conductor section | IEC | min | mm ² | 1 |
| | | max | mm ² | 16 |
| | AWG/Kcmil | min | | 16 |
| | | max | | 3 |
| Mechanical life | | cycles | 20000 | |
| Weight | | g | 205 | |

| | |
|-------------------|------|
| Frontal IP degree | IP20 |
| Pollution degree | 2 |

Dimensions



Certifications and compliance

| | |
|----------------|-------------------|
| Compliance | IEC/EN/BS 61009-1 |
| Certifications | EAC TÜV-SUD |

ETIM classification

| | |
|----------|--|
| ETIM 8.0 | EC000905 - Earth leakage circuit breaker |
|----------|--|