

NOTES:

RATED VOLTAGE: MAX. 63V AC/DC
 RATED CURRENT: MAX. 12A at 40°C (derating has to be considered)
 IP RATING: IP67 (mated and locked condition)
 TEMPERATURE RANGE: -25°C TO +85°C

CABLE PRINTING (sequence as shown below):
 - MOLEX part number
 - "Made in " COUNTRY OF ORIGIN
 - MOLEX AND DATE OF MANUFACTURING (YY=YEAR; WW=WEEK): MXYWW
 - Not for current interrupting

PART ACCORDING PRODUCT SPEC: 1205010169
 PACKAGING ACCORDING PACKAGING SPEC: 1201202000

TABLE 1

POS	DESCRIPTION	MATERIAL	FINISH
1	NUT M12 FE	BRASS	Ni
2	CONTACT 15 MA	BRASS	Au
3	CONTACT 15 FE	BRASS	Au
4	INSERT	PA	GREY
5	OVERMOLD	TPE	BLACK
6	CABLE 5x1.5 D8.6 WSOR	PUR	GREY
7	GASKET OR 8.2X1.25	FKM	BLACK
OPTIONAL 8	ID-CARRIER	-	-

FUNCTIONAL SYMBOLS FA = 0 FE = 0 FV = 0	THIS DRAWING CONTAINS INFORMATION THAT IS PROPRIETARY TO MOLEX ELECTRONIC TECHNOLOGIES, LLC AND SHOULD NOT BE USED WITHOUT WRITTEN PERMISSION		 CSE M12 5P LC FE STR WSOR GY XM UNSH 1.5						
	DIMENSION UNITS	SCALE			PRODUCT CUSTOMER DRAWING				
	mm	2:1	EC NO: 735577	2023/01/12					
	GENERAL TOLERANCES (UNLESS SPECIFIED)		DRWN: NIKHIS3	2023/01/19					
ANGULAR TOL ± 1.0°		CHK'D: RSILLER	2023/01/19						
4 PLACES ±		APPR: RSILLER	2023/01/19						
3 PLACES ±		INITIAL REVISION:							
2 PLACES ± 0.05		DRWN: FDAFERNER	2020/08/17						
1 PLACE ± 0.3		APPR: RSILLER	2022/12/05						
0 PLACES ± 0.5		DOCUMENT NUMBER							
DRAFT WHERE APPLICABLE MUST REMAIN WITHIN DIMENSIONS		THIRD ANGLE PROJECTION	DRAWING	SERIES	MATERIAL NUMBER	CUSTOMER	DOC TYPE	DOC PART	REVISION
			A3-SIZE	120500	SEE TABLE 2	GENERAL MARKET	PSD	000	A1
									SHEET NUMBER
									1 OF 2

ENGINEERING NO - NUMERICAL CODE (Available parts see PART LIST table. Other parts available upon request).

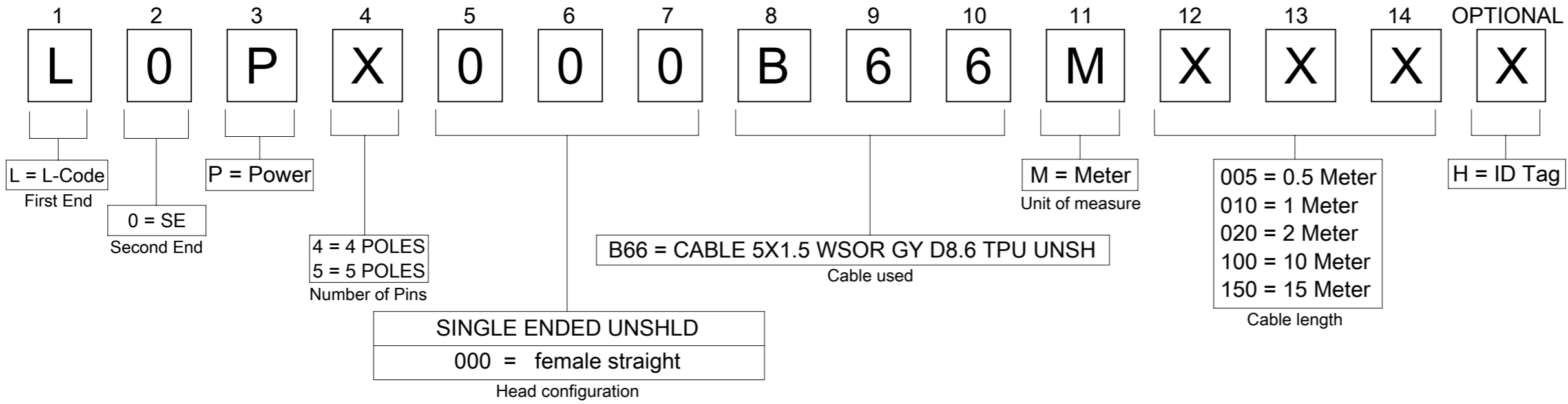


TABLE 2

NOMINAL SECTION 1,5mm ²			
MATERIAL NO.	ENGINEERING NO.	L [mm]	TOLERANCE [mm]
1205000300	L0P5000B66M010	1000	+40
1205000301	L0P5000B66M020	2000	+60
1205000302	L0P5000B66M030	3000	+60
1205000303	L0P5000B66M050	5000	+60
1205000304	L0P5000B66M100	10000	+80
1205000305	L0P5000B66M150	15000	+140
1205000306	L0P5000B66M200	20000	+140

FUNCTIONAL SYMBOLS	THIS DRAWING CONTAINS INFORMATION THAT IS PROPRIETARY TO MOLEX ELECTRONIC TECHNOLOGIES, LLC AND SHOULD NOT BE USED WITHOUT WRITTEN PERMISSION		molex
	DIMENSION UNITS: mm SCALE: 1:1	CURRENT REV DESC: UPDATED ATTRIBUTE TO GENERAL MARKET IN ECTR	
DIVISIONAL SYMBOLS	GENERAL TOLERANCES (UNLESS SPECIFIED)		CSE M12 5P LC FE STR WSOR GY XM UNSH 1.5
	ANGULAR TOL ± 1.0°		
	4 PLACES ±	EC NO: 735577	
	3 PLACES ±	DRWN: NIKHIS3 2023/01/12	
	2 PLACES ± 0.05	CHK'D: RSILLER 2023/01/19	
1 PLACE ± 0.3	APPR: RSILLER 2023/01/19	PRODUCT CUSTOMER DRAWING	
0 PLACES ± 0.5	INITIAL REVISION:	DOCUMENT NUMBER	
DRAFT WHERE APPLICABLE MUST REMAIN WITHIN DIMENSIONS		DRWN: FDAFERNER 2020/08/17 APPR: RSILLER 2022/12/05	DOC TYPE: PSD DOC PART: 000 REVISION: A1
THIRD ANGLE PROJECTION		DRAWING: A3-SIZE	SERIES: 120500
		MATERIAL NUMBER: SEE TABLE 2	CUSTOMER: GENERAL MARKET
		SHEET NUMBER: 2 OF 2	