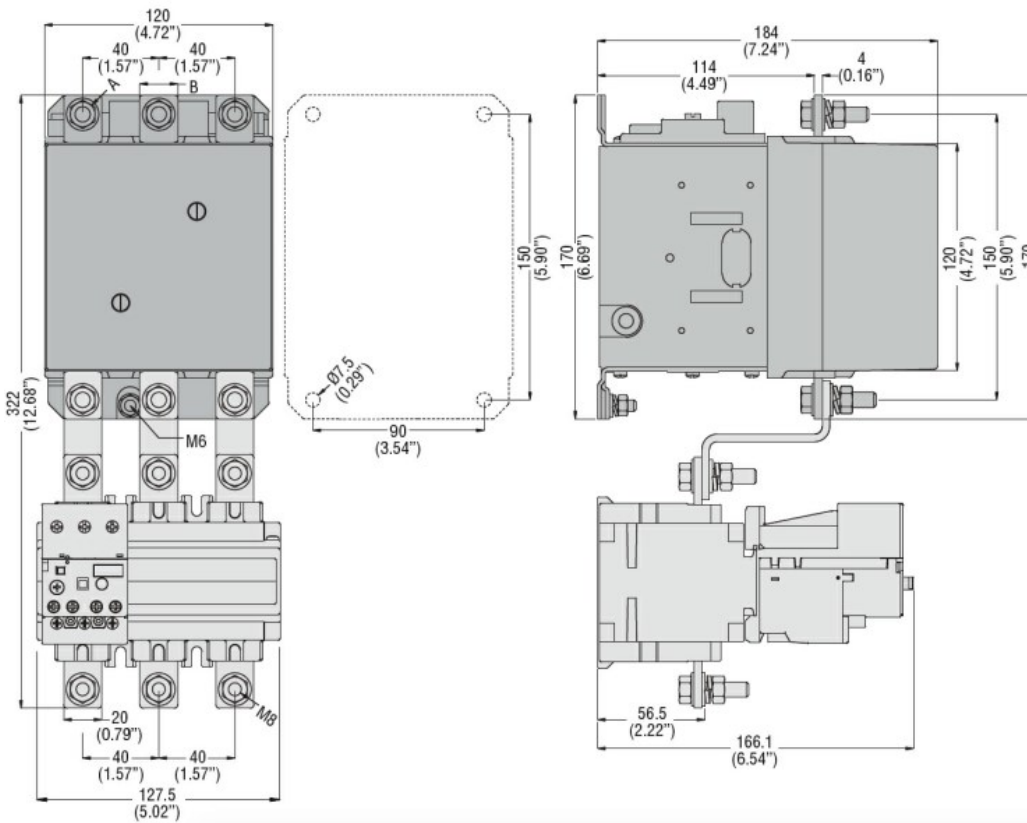




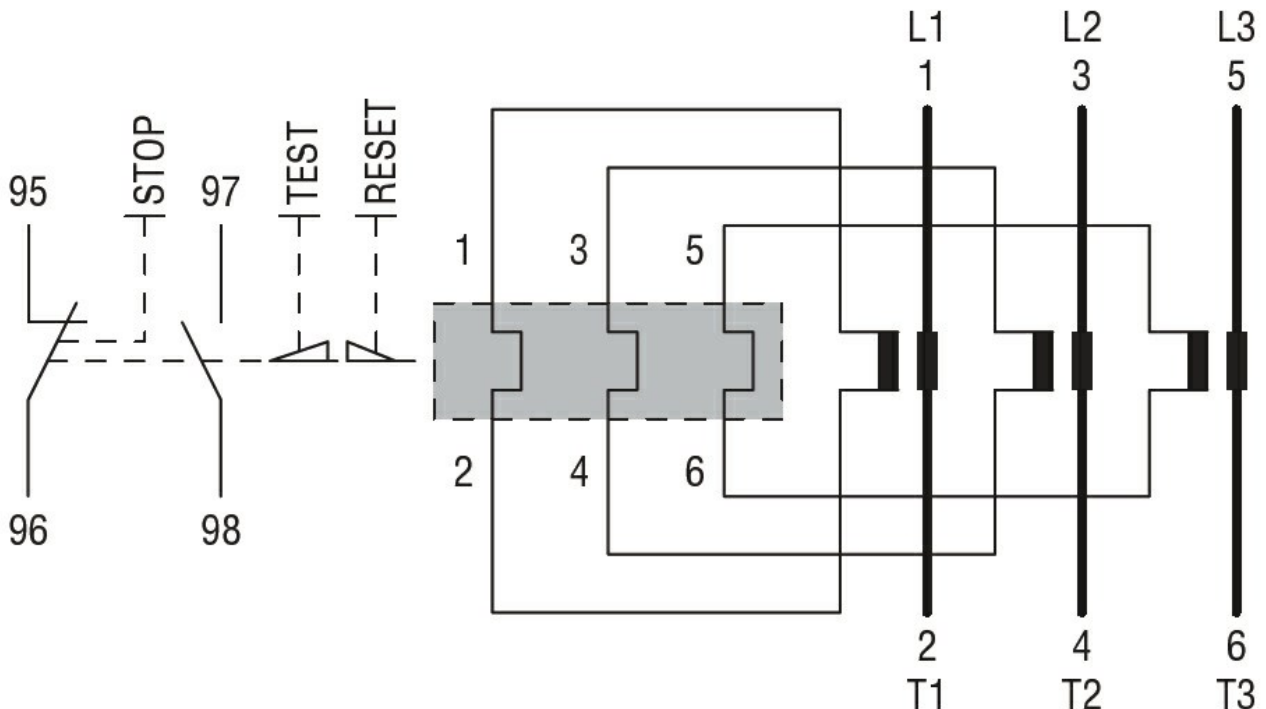
| | | | |
|---|-------------------------|-----------------------|------|
| Product designation | RF200 | | |
| Product type designation | Motor protection relay | | |
| General characteristics | | | |
| Number of poles | Nr. | 3 | |
| Overvoltage category | III | | |
| Pollution degree | 3 | | |
| Frontal IP degree | IP20 | | |
| Type of release | Thermal | | |
| Protection fuse | | | |
| | gG (IEC) | A | 160 |
| | aM (IEC) | A | 100 |
| | K5 (UL) | A | 500 |
| Phase failure detection | no | | |
| Reset mode | Manual or automatic | | |
| Power circuit characteristics | | | |
| Rated insulation voltage U_i IEC/EN | V | 1000 | |
| Rated impulse withstand voltage U_{imp} | kV | 6 | |
| Rated operational voltage | V | 690 | |
| Operational frequency | | | |
| | min | Hz | 50 |
| | max | Hz | 60 |
| Operational current I_e | | | |
| | Operational current min | A | 60 |
| | Operational current max | A | 100 |
| Tripping class | 10A | | |
| Test Button | yes | | |
| Trip indicator | yes | | |
| Terminals | | | |
| | type | screw and flat washer | |
| | screw | M8 | |
| | width | mm | 20 |
| | tool | Bar 13mm | |
| Tightening torque for terminals | | | |
| | min | Nm | 18 |
| | max | Nm | 18 |
| | min | lbin | 13.3 |
| | max | lbin | 13.3 |
| Auxiliary circuit characteristics | | | |
| Auxiliary contacts | | | |
| | NO | Nr. | 1 |
| | NC | Nr. | 1 |
| Auxiliary Rated insulation voltage U_i IEC/EN | V | 690 | |

| | | | |
|---|--|-----------------|--------------------|
| Auxiliary Rated impulse withstand voltage Uimp | | kV | 6 |
| Auxiliary Rated operational voltage | | V | 690 |
| Operating current AC15 | 24V | A | 3 |
| | 120V | A | 3 |
| | 240V | A | 1.5 |
| | 380V | A | 0.95 |
| | 480V | A | 0.75 |
| | 500V | A | 0.72 |
| Operating current DC13 | 600V | A | 0.6 |
| | 125V | A | 0.11 |
| | 600V | A | 0.22 |
| IEC Conventional free air thermal current Ith | | A | 10 |
| Terminals | | | |
| | Auxiliary circuit type | | screw and washer |
| | Auxiliary circuit screw | | M3,5 |
| | Auxiliary circuit width | mm | 8 |
| | Auxiliary circuit tool | | Phillips 2 |
| Conductor section | | | |
| | Auxiliary circuit Flexible w/o lug max | mm ² | 2.5 |
| | Auxiliary circuit Flexible c/w lug max | mm ² | 2.5 |
| Tightening torque for terminals | | | |
| | Auxiliary circuit min | Nm | 0.8 |
| | Auxiliary circuit max | Nm | 1 |
| | Auxiliary circuit min | lbin | 0.59 |
| | Auxiliary circuit max | lbin | 0.74 |
| UL/CSA and IEC/EN 60947-5-1 designation | | | B600-R300 |
| Ambient conditions | | | |
| Operating temperature | | | |
| | min | °C | -25 |
| | max | °C | 60 |
| Storage temperature | | | |
| | min | °C | -50 |
| | max | °C | 70 |
| Compensation temperature | | | |
| | min | °C | -20 |
| | max | °C | 60 |
| Max altitude | | m | 3000 |
| Mechanical features | | | |
| Operating position | | | |
| | normal allowable | | Vertical plan ±30° |
| Fixing | | | Screw |
| Weight | | g | 2150 |
| UL technical data | | | |
| Full-load current (FLA) for three-phase AC motor | | | |
| | at 480V | A | 100 |
| | at 600V | A | 100 |
| Dimensions | | | |



| CONTACTOR TYPE | A | B |
|----------------|----|------------|
| B115 | M6 | 15 (0.59") |
| B145 | M8 | 20 (0.79") |
| B180 | M8 | 20 (0.79") |

Wiring diagrams



Certifications and compliance

Compliance

CSA C22.2 n° 14

IEC/EN 60947-1

IEC/EN 60947-4-1

UL508

Certifications

cULus

EAC

ETIM classification

ETIM 8.0

EC000106 -
Thermal overload
relay