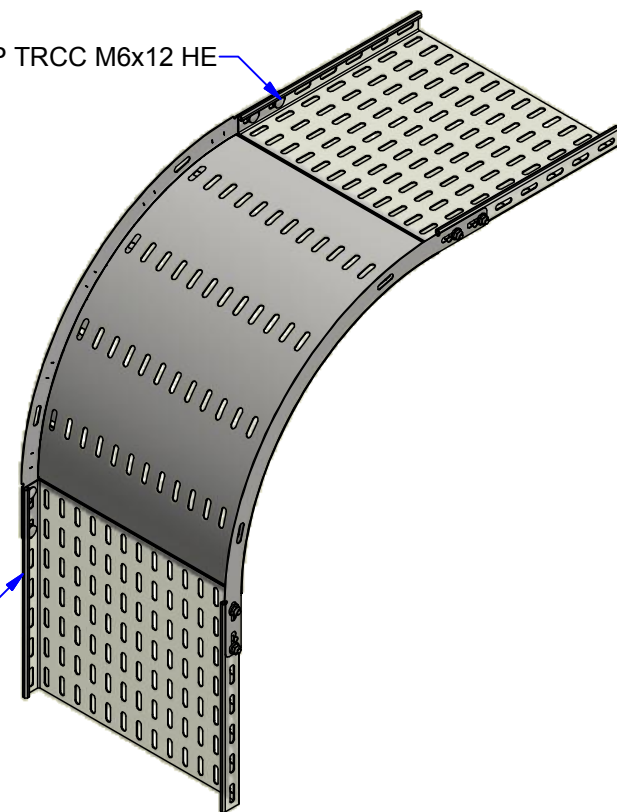
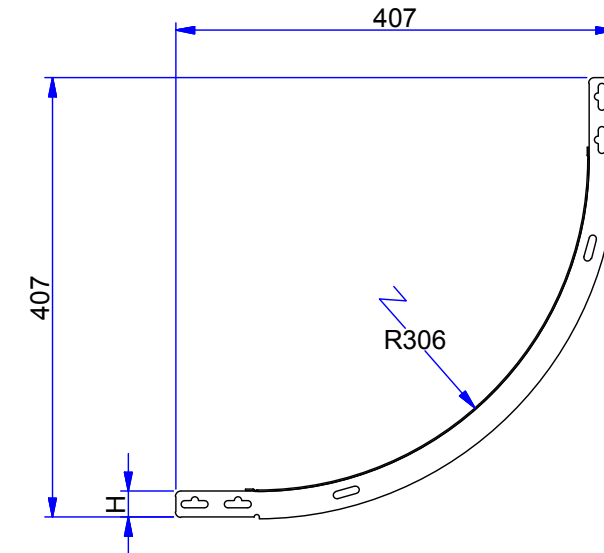
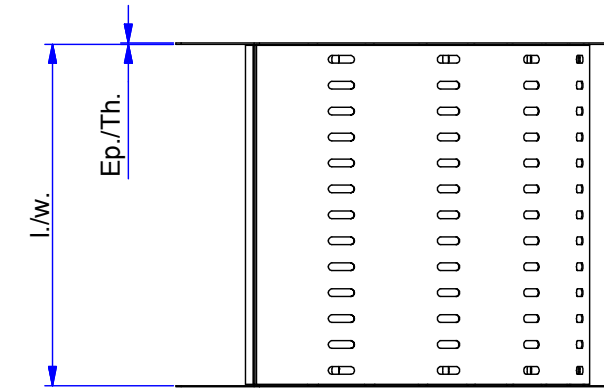
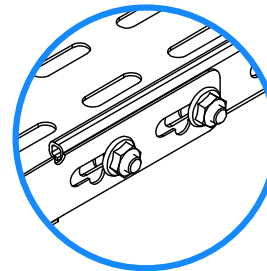
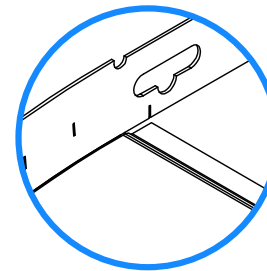


BP TRCC M6x12 HE



Chemin de câbles BS
(BS Cable tray)



Description	Code	Masse/Weight Kg/p	Ep./Th. mm	H mm	l./w. mm
VE90 H24 L50 SZ	421535	0,549	1,00	28	52
VE90 H24 L75 SZ	421540	0,637	1,00	28	76
VE90 H24 L100 SZ	421545	0,735	1,00	28	100
VE90 H24 L123 SZ	421550	0,823	1,00	28	124
VE90 H24 L147 SZ	421555	0,911	1,00	28	148
VE90 H24 L195 SZ	421565	1,088	1,00	28	196
VE90 H24 L316 SZ	421580	1,55	1,00	28	316
VE90 H24 L412 SZ	421590	1,901	1,00	28	412
VE90 H24 L507 SZ	421610	2,264	1,00	28	508

G : Pre-galvanised according to NF EN 10346 (S220 GD / Z).

SZ : Tôle d'acier galvanisé avant fabrication suivant NF EN 10346 (S220 GD / Z).



www.niedaxfrance.fr

COUDE VE 90° H24 SZ
OUTSIDE BEND 90° H24 G



ASSISTANCE TECHNIQUE
+33 (0)1 55 95 92 17
pole.technique@niedax.fr

FT02634

NIEDAX
France

