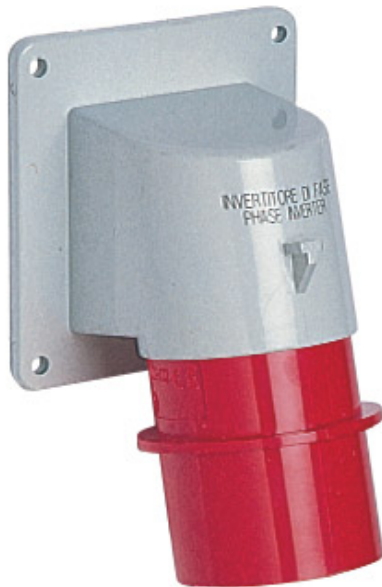


Part number

# SIP 1665 SI



Flush-mounting plug, PLUSO series, 3 poles + N + PE, 6 h (red), 16 A, 200/346 ÷ 240/415 V, with phase inverter

Product description		Material properties	
<b>Product type</b>	Plug Flush-mounting	<b>Colour</b>	RAL 7035 grey, RAL 3000 red
<b>Series</b>	SIP...SI, PLUSO	<b>RoHs conformity</b>	Compliant with exemption 6(c): copper alloy containing up to 4% lead by weight
<b>Connection type</b>	Screw terminal connection	<b>China RoHs - EFUP</b>	50
<b>N. of poles</b>	3 poles + N +	<b>REACH SVHC substances</b>	Yes Lead
<b>Clock position</b>	6	<b>SCIP number</b>	Ca7de37f-add8-4b77-9861-279c94903ade
<b>Specification</b>	With phase inverter	<b>Approvals / Standards</b>	
<b>Technical data</b>		<b>Reference standard</b>	EN 60309-1 and -2
<b>Current</b>	16 A	<b>General ordering information</b>	
<b>Voltage</b>	200/346 ÷ 240/415 V	<b>EAN13 code</b>	8015747083850
<b>IP degree of protection</b>	IP44	<b>Packaging Information</b>	
<b>Further technical details</b>		<b>Packaging length</b>	330,00 mm
<b>Weight</b>	186,00 g	<b>Packaging height</b>	175,00 mm
<b>Operating temperature range (min, max)</b>	-25°C ... +40°C	<b>Packaging width</b>	295,00 mm
		<b>Packaging weight</b>	2,22 kg
		<b>Packaging volume</b>	17,04 dm <sup>3</sup>
		<b>Packaging description</b>	Carton box
		<b>Packaging quantity</b>	10 Pcs
		<b>Packaging EAN code</b>	8015747083867

Part number

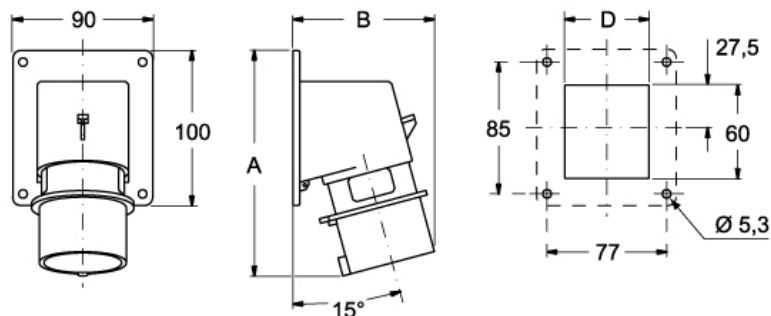
# SIP 1665 SI



Catalogue drawings

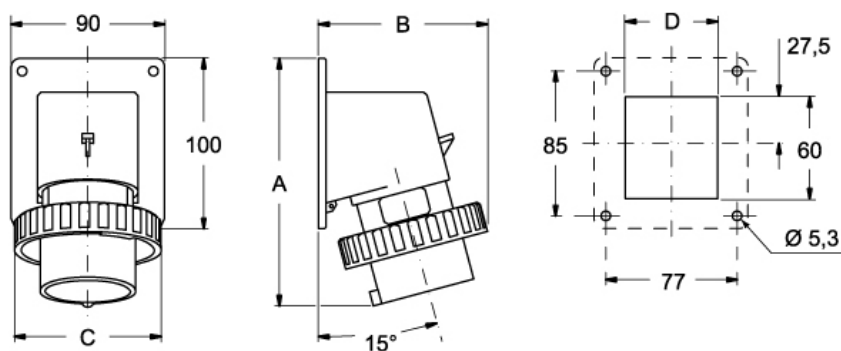
Catalogue drawings

## SIP ... SI



	A	B	C
<b>16A</b>	146	93	54
<b>32A</b>	160	106	62

## SIPW ... SI



	A	B	C	D
<b>16A</b>	146	99	86	54
<b>32A</b>	160	113	100	62

## Notes

Dimensions shown in mm are not binding and may be changed without notice.

- Compliant with EN 60309-1 and -2
- Enclosure and insert in insulating, thermoplastic and self-extinguishing material
- SIP... types (IP44), red enclosure (colour coded according to the operating voltage), entry with threaded grommet

- SIP...SV types (IP44), entry with cable gland colour coded according to the operating voltage, RAL 7035 grey colour enclosure
- SIPW... types (IP67), RAL 7035 grey enclosure, red bayonet ring (colour coded according to the operating voltage), entry with cable gland
- SIPW...SV types (IP66/IP67), entry with cable gland colour coded according to the operating voltage, RAL 7035 grey enclosure, locking ring and gasket, colour coded according to the operating voltage, earth contact position different from h 6 on request
- Built-in phase inverter device, operated by means of a

screwdriver

- Terminals with retained screws
  - SIP/SIPW...SM/SI types: nickel-plated contacts on request
  - SIPW...SV HEAVY DUTY types: nickel-plated contacts on request
-