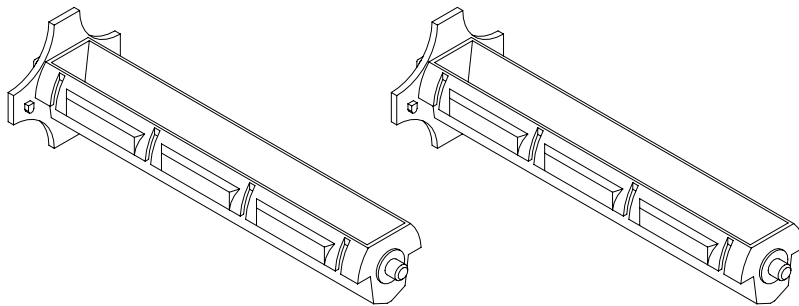
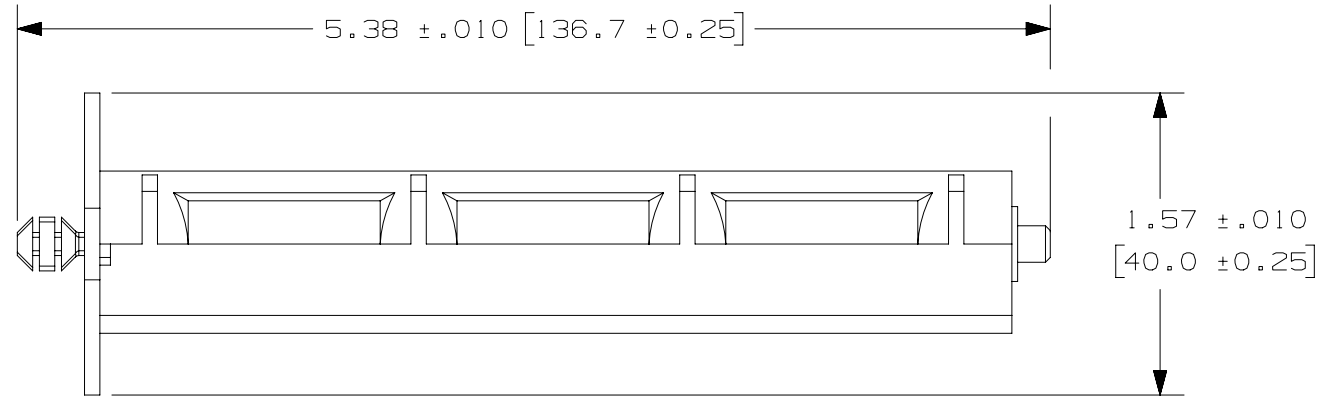


THIS COPY IS PROVIDED ON A RESTRICTED BASIS AND IS NOT TO BE USED IN ANY WAY DETRIMENTAL TO THE INTERESTS OF PANDUIT CORP.

FINISHED PANDUIT PART	SPOOL PER PACKAGE
TDP43ME - SPINDLE	2

NOTES:

1. VISIT OUR ON-LINE CATALOG AT WWW.PANDUIT.COM FOR A LIST OF CURRENT PARTS APPLICABLE FOR USE WITH THIS PRODUCT.
2. DIMENSIONS IN [] ARE METRIC.
3. ALL MATERIALS AND COMPONENTS USED MEET THE MATERIAL RESTRICTIONS OF RoHS (EUROPEAN DIRECTIVE 2011/65/EU ON THE RESTRICTION OF HAZARDOUS SUBSTANCES) AS PROPOSED BY THE RoHS TECHNICAL ADAPTATION COMMITTEE.



PART NUMBER		TDP43ME-SPINDLE	
TITLE		RIBBON SPOOL	
		CUSTOMER DRAWING	
ITEM REVISION NAME		100586BA/01	
DATASET FILE NAME		100586BA_DC_C11725/01A	
		THIRD ANGLE PROJECTION	
MATERIAL		PLASTIC	
		DRAWING NUMBER	
		C11725	
00	12/19/17	RVU	JW JHAC INITIAL RELEASE
GAECN04445			
REV	DATE	BY	CHK APR DESCRIPTION
RVU	12/19/17	JHAC	NONE
SHEET 1 OF 1		A	

A-SIZE CUSTOMER