

Part number

CYG 8/2 JF



Female RJ45 connector, CYG couplers series, size "21.21", in insulating enclosure, 8 data contacts + 2 power contacts

Product description

Product type	Data connector
Series	CYG couplers
Connection type	RJ45
Gender	Female
Size	Size "21.21"
Specification	In insulating enclosure 8 data contacts + 2 power contacts, Cat.5

Further technical details

Weight	52,00 g
Operating temperature range (min, max)	-40°C ... +120°C

Material properties

Colour	RAL 9005 black
RoHs conformity	Compliant with exemption 6(c): copper alloy containing up to 4% lead by weight
China RoHs - EFUP	50
REACH SVHC substances	Yes Lead

General ordering information

EAN13 code	8015747170376
eCl@ss 8.1	19170125
ETIM 7.0	EC002636

Packaging Information

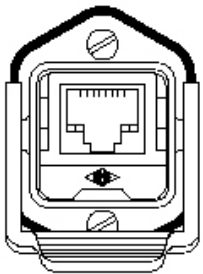
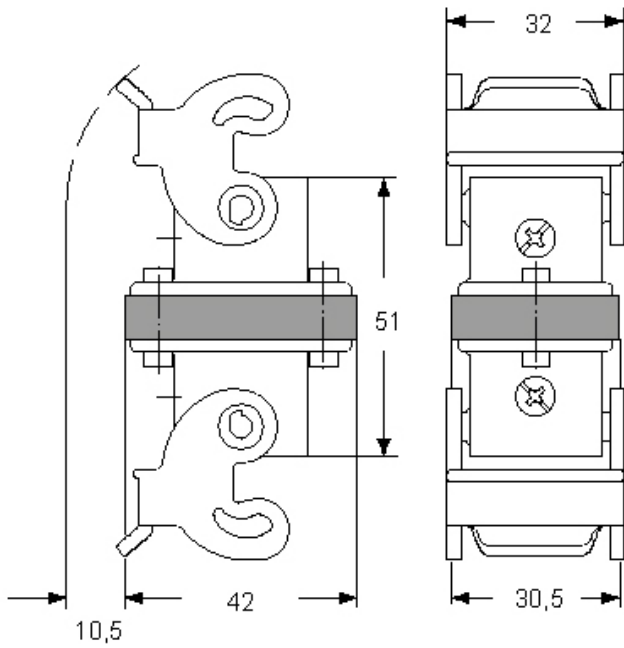
Sub-packaging weight	0,05 kg
Sub-packaging description	Plastic bag
Sub-packaging quantity	1 Pcs
Sub-packaging EAN barcode	8015747170413

Part number

CYG 8/2 JF



Catalogue drawings



Notes

Dimensions shown in mm are not binding and may be changed without notice.
