



Product designation				Power contactor
Product type designation				B400
Contact characteristics				
Number of poles	Nr.			4
Rated insulation voltage U _i IEC/EN	V			1000
Rated impulse withstand voltage U _{imp}	kV			8
Operational frequency	min	Hz	25	
	max	Hz	400	
IEC Conventional free air thermal current I _{th}	A			550
Operational current I _e	AC-1 (≤40°C)	A	550	
	AC-1 (≤55°C)	A	430	
	AC-1 (≤70°C)	A	360	
	AC-3 (≤440V ≤55°C)	A	420	
	AC-4 (400V)	A	200	
Rated operational power AC-1 (T≤40°C)	230V	kW	200	
	400V	kW	345	
	500V	kW	452	
	690V	kW	598	
IEC max current I _e in DC1 with L/R ≤ 1ms with 1 poles in series	75V	A	400	
	110V	A	250	
	220V	A	--	
	330V	A	--	
	460V	A	--	
IEC max current I _e in DC1 with L/R ≤ 1ms with 2 poles in series	75V	A	400	
	110V	A	400	
	220V	A	350	
	330V	A	--	
	460V	A	--	
IEC max current I _e in DC1 with L/R ≤ 1ms with 3 poles in series	75V	A	400	
	110V	A	400	
	220V	A	400	
	330V	A	350	
	460V	A	--	
IEC max current I _e in DC1 with L/R ≤ 1ms with 4 poles in series	75V	A	400	
	110V	A	400	
	220V	A	400	
	330V	A	400	
	460V	A	350	

IEC max current I_e in DC3-DC5 with L/R ≤ 15ms with 1 poles in series

75V	A	350
110V	A	200
220V	A	--
330V	A	--
460V	A	--

IEC max current I_e in DC3-DC5 with L/R ≤ 15ms with 2 poles in series

75V	A	350
110V	A	350
220V	A	280
330V	A	--
460V	A	--

IEC max current I_e in DC3-DC5 with L/R ≤ 15ms with 3 poles in series

75V	A	350
110V	A	350
220V	A	350
330V	A	280
460V	A	--

IEC max current I_e in DC3-DC5 with L/R ≤ 15ms with 4 poles in series

75V	A	350
110V	A	350
220V	A	350
330V	A	280
460V	A	280

Short-time allowable current for 10s (IEC/EN60947-1)

A	3600
---	------

Protection fuse

gG (IEC)	A	630
aM (IEC)	A	400

Making capacity (RMS value)

A	4200
---	------

Breaking capacity at voltage

440V	A	4000
500V	A	3400
690V	A	3360

Resistance per pole (average value)

mΩ	0.2
----	-----

Power dissipation per pole (average value)

I _{th}	W	52
AC-3	W	32

Tightening torque for terminals

min	Nm	35
max	Nm	35
min	I _{bin}	25.8
max	I _{bin}	25.8

Tightening torque for coil terminal

min	Nm	1
max	Nm	1
min	I _{bin}	0.74
max	I _{bin}	0.74

Max number of wires simultaneously connectable

Nr.	2
-----	---

Conductor section

AWG/Kcmil

max	2x 300 kcmil
-----	--------------

Power terminal protection according to IEC/EN 60529

IP00

Mechanical features

Operating position

	normal allowable	Vertical plan ±30°
Fixing		Screw
Weight	g	1112
Conductor section	AWG/kcmil conductor section	
	max	2x 300 kcmil

Operations

Mechanical life	cycles	10000000
Electrical life	cycles	700000

Safety related data

Performance level B10d according to EN/ISO 13489-1

	rated load mechanical load	cycles cycles	700000 10000000
Mirror contacts according to IEC/EN 60947-4-1			yes
EMC compatibility			yes

AC coil operating

Rated AC voltage at 50/60Hz, 60Hz

	min	V	220
	max	V	240

AC operating voltage

of 50/60Hz coil powered at 50Hz
pick-up

min	%Us	80
max	%Us	110

drop-out

min	%Us	20
max	%Us	60

of 50/60Hz coil powered at 60Hz
pick-up

min	%Us	80
max	%Us	110

drop-out

min	%Us	20
max	%Us	60

of 60Hz coil powered at 60Hz
pick-up

min	%Us	80
max	%Us	110

drop-out

min	%Us	20
max	%Us	60

AC average coil consumption at 20°C

of 50/60Hz coil powered at 50Hz

in-rush	VA	300
holding	VA	10

of 50/60Hz coil powered at 60Hz

in-rush	VA	300
holding	VA	10

Dissipation at holding ≤20°C 50Hz

W	10
---	----

DC coil operating

DC rated control voltage

		min	V	220
		max	V	240
DC operating voltage				
	pick-up	min	%Us	80
		max	%Us	110
	drop-out	min	%Us	20
		max	%Us	60

Average coil consumption $\leq 20^{\circ}\text{C}$				
		in-rush	W	300
		holding	W	10

Max cycles frequency					
Mechanical operation				cycles/h	2400

Operating times					
Average time for Us control					
	in AC				
		Closing NO	min	ms	80
			max	ms	120
		Opening NO	min	ms	30
			max	ms	75
	in DC				
		Closing NO	min	ms	80
			max	ms	120
		Opening NO	min	ms	30
			max	ms	75

UL technical data				
Full-load current (FLA) for three-phase AC motor				
		at 480V	A	414
		at 600V	A	382

Yielded mechanical performance				
	for three-phase AC motor			
		200/208V	HP	125
		220/230V	HP	150
		460/480V	HP	350
		575/600V	HP	400

General USE				
	Contactor			
		AC current	A	550

Short-circuit protection fuse, 600V				
	Standard fault			
		Short circuit current	kA	18
		Fuse rating	A	800
		Fuse class		L

Ambient conditions				
Temperature				
	Operating temperature			
		min	$^{\circ}\text{C}$	-50
		max	$^{\circ}\text{C}$	70
	Storage temperature			

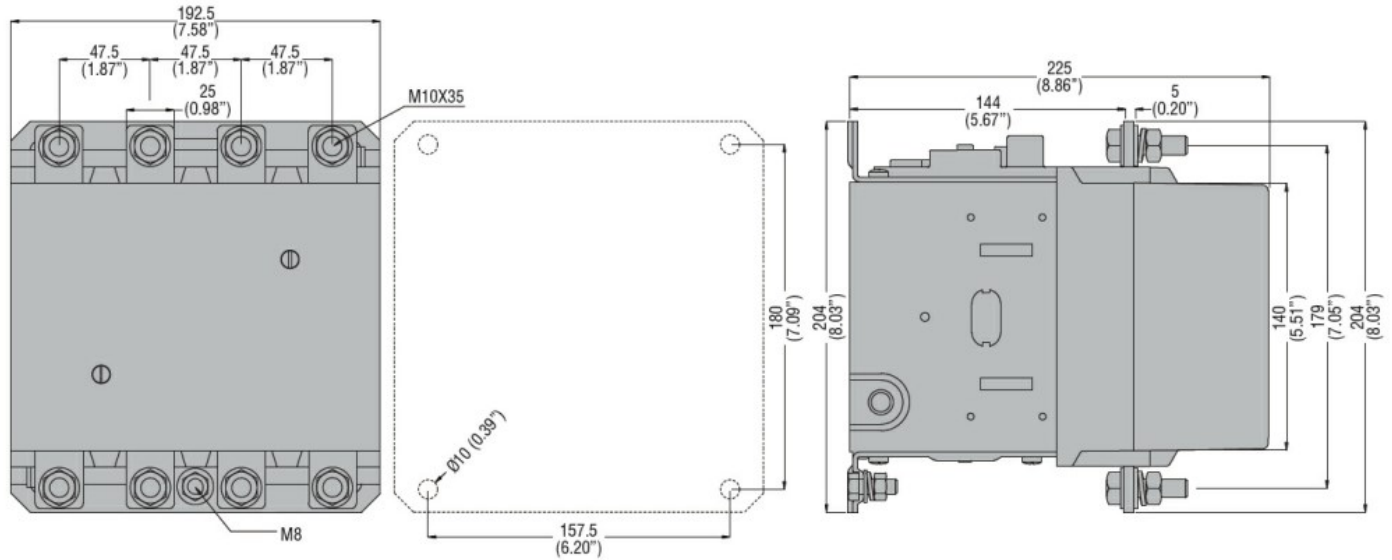
min	°C	-60
max	°C	80
Max altitude	m	3000

Resistance & Protection

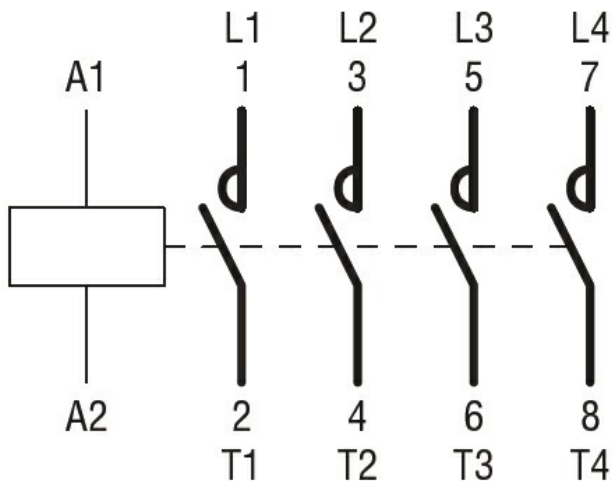
Pollution degree

3

Dimensions



Wiring diagrams



Certifications and compliance

Compliance

- CSA C22.2 n° 60947-1
- CSA C22.2 n° 60947-4-1
- IEC/EN 60947-1
- IEC/EN 60947-4-1
- UL 60947-1
- UL 60947-4-1

Certificates

- CCC
- cULus
- EAC

ETIM classification

ETIM 8.0

EC000066 -
Power contactor,
AC switching