

DS-2664ZJ-P

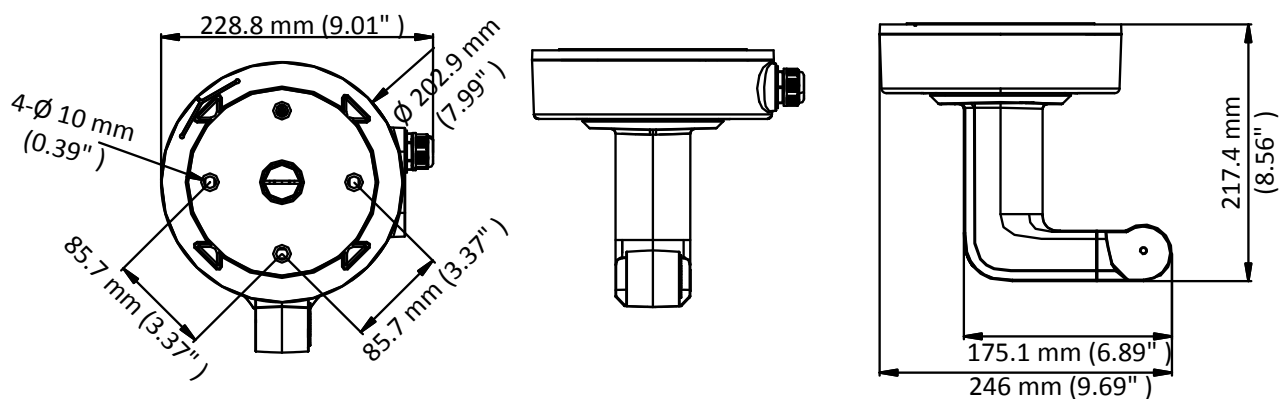
Pendant Mount



Feature

- Aluminum alloy with surface spray treatment
- The junction box design facilitates the cable wiring
- Adjustable tilt range: -40° to 8°
- Adjustable pan range: -40° to 40°

Dimension



Available Model

DS-2664ZJ-P

Parameter

| | |
|------------|--|
| Model | DS-2664ZJ-P |
| Parameters | Pendant Mount |
| Appearance | Platinum Gray |
| Material | Aluminum Alloy |
| Dimension | Φ202.9 mm × 246 mm × 217.4 mm(7.99" × 9.69" × 8.56") |
| Weight | Approx. 3500 g (7.72 lb.) |

Note

- The mount should be installed on a flat surface.
- Waterproof rubber is necessary for outdoor application.
- The wall should be capable of supporting at least 3 times as much as the total weight of the camera and the mount.
- The maximum load capacity of the mount is 5 kg (11 lb.).