

Fiche produit

Article n° 05.545.8300.8

Contact mâle 1,5/16

Article n°	05.545.8300.8
EAN	4049088213380
Unité de commande	100 Piece(s)

certificats/approbations

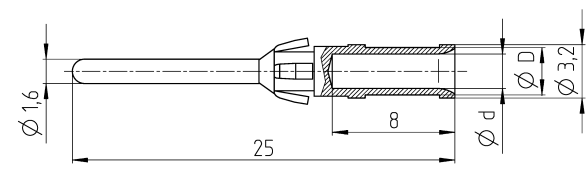
Données techniques

général

Model	Broche
section du conducteur souple Min.	1,5 mm ²
section du conducteur souple Max.	1,5 mm ²
diamètre Min. du câble souple UL/CSA	16 AWG
diamètre Max. du câble souple UL/CSA	16 AWG
Type de connexion	Crimp
matériel	Cuivre
Diamètre du contact	1,6 mm
Surface	Plaqué argent

Dessin technique

001: New drawings will be specific (insert or delete)
 002: New drawings will be specific (insert or delete)
 003: New drawings will be specific (insert or delete)
 004: New drawings will be specific (insert or delete)
 005: New drawings will be specific (insert or delete)



zugehöriges Werkzeug *associated tool*
 Crimpbacken *crimp die* "G": 05.502.4900.0
 Kontaktaufnahme *contact positioner* "S": 05.502.5100.0

VPE: 100
 packing unit: 100

Bestell-Nr. order - no.	Querschnitt cross section		d	D	Oberfläche surface
	mm ²	AWG			
05.545.7900.7	0,14-0,37	26-22	0,9	2,6	vergoldet gold-plated
05.545.7900.8					versilbert silver-plated
05.545.8000.7	0,5	20	1,15	2,6	vergoldet gold-plated
05.545.8000.8					versilbert silver-plated
05.545.8100.7	0,75	18	1,3	2,6	vergoldet gold-plated
05.545.8100.8					versilbert silver-plated
05.545.8200.7	1,0	18	1,45	2,6	vergoldet gold-plated
05.545.8200.8					versilbert silver-plated
05.545.8300.7	1,5	16	1,75	3,0	vergoldet gold-plated
05.545.8300.8					versilbert silver-plated
05.545.8400.7	2,5	14	2,25	3,2	vergoldet gold-plated
05.545.8400.8					versilbert silver-plated

Weitere Daten siehe KATALOG oder eKatalog
 additional data see CATALOG or eCATALOG


www.wieland-electric.com
 eshop.wieland-electric.com

Tolerierung Size ISO 14405 © / Tolerance system Size ISO 14405 ©. jstyes Stoffverfalls- und Deklarationsliste nach DIN 50010 ist enthalten.
 (This ISO-standard describes the envelope principle. According to the envelope principle the deviations of form and parallelism are limited by the size tolerances). (Conformity with Wieland document NW 50010 is a list of prohibited / degradable hazardous substances) to be declared.

Freitoleranz nach General tolerance DIN ISO 2768 - m AD - Zeichnung, keine manuellen Änderungen allowed Verwendung Blatt: 1 von 1
 (AD - drawing, no manual modifications allowed) (AD - drawing, no manual modifications allowed) first use Sheet: 1 of 1

Werkstoff / Material		Reg/Date	Name	Zeichnung Nr. / Drawing No.	Index
/		Z14.2020	Dutsch	05.545.7900.7 13K	-

Maße in mm / Dimensions are in mm



STECKERKONTAKT
 Crimpanschluss
 MALE CONTACT - crimp connection

Index: 001: / Blatt: 1 / Sheet: 1
 Änderung / Revision:

05_545_7900_7_13K-AA-dwg1_main_1 CADW4031 Deutsch 2020-04-22T08:37:52 .000 3 4 5 6 QU-MEE-07/14_a