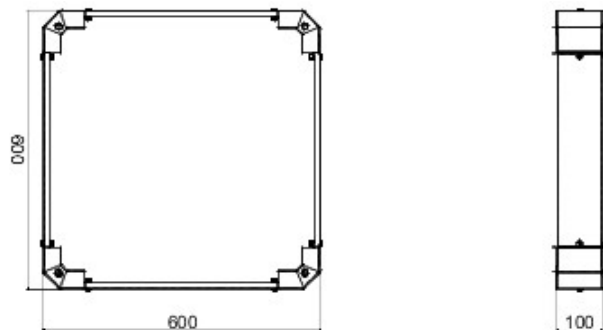




A system complete with components and accessories for LAN network cabling set-ups (both copper and optical fiber). The range includes also wall-mounting and floor-standing cabinets, from 10" and 19", with modern and innovative design, characterised by extremely easy wiring thanks to large internal volumes and lateral space. These solutions reduce installation time and allow for quick configuration at any moment, on the basis of new usage requirements.

Catégorie	Plinth for 19" floor-standing cabinets	Matière	Acier
Finition	Wrinkle	Couleur	Noir RAL 9005
For 19" rack cabinets	GW38451, GW38452, GW38453	Dim. externes LxHxP (mm)	600x100x600
Electrocod	3752		

DIMENSIONS



GEWISS S.A.S. 1, Rue du Rio Salado 91940
Les Ulis Cedex
Tel : +33 1 64 86 80 80

www.gewiss.com
www.gewiss@gewiss.fr
Dernière mise à jour 08/08/2019

Les caractéristiques, dimensions, dessins et images sont communiqués à titre purement informatif et peuvent faire l'objet de modification sans aucun préavis