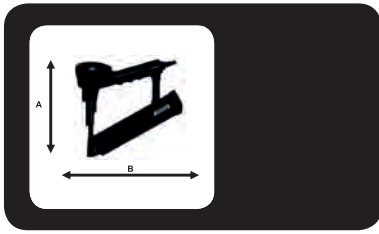




Paslode[®]





PSN50NP

		A = 254 mm B = 277 mm C = 112 mm
		= 1,88 kg

<p>Min. 5 bar Max. 8 bar</p>	<p>3,31l (7 bar)/</p>
<p>Ps max. = 8 bar</p>	

<p>EN 12549+EN ISO 4871 EN12096 : 1997</p>	<p>L WA.1s = 100,9 dBA</p> <p>L pA.1s = dBA</p> <p>L pA.1s1m = 87,9 dBA</p>
	<p>Vibration = 4,5 m/s²</p>

20 x	<p>Diameter d = 4,3-4,6 mm Length L = 40-50 mm Angle A = 34°</p>
-------------	--

Paslode 34° Strip Nails



Model: PSN50NP

No. 505688



Diameter $d = 4.3 - 4.6 \text{ mm}$
Length $L = 40 \text{ and } 50 \text{ mm}$
Angle $A = 34^\circ$



ITW Befestigungssysteme GmbH,
Carl-Neubauer-Str. 10, 30289 Hannover, Germany



No. 014748 + No. 505928



No. 014121

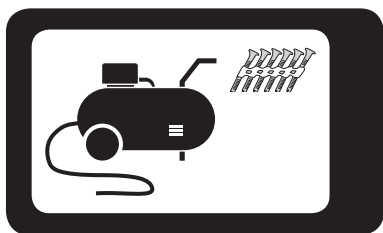


Accessories

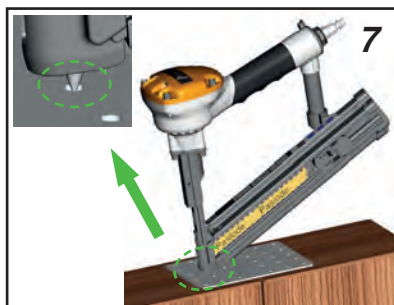
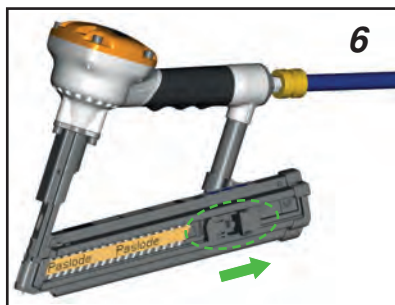
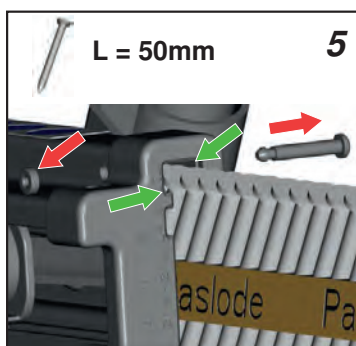
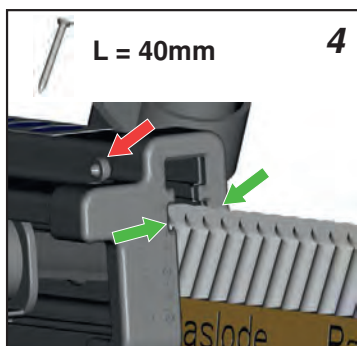
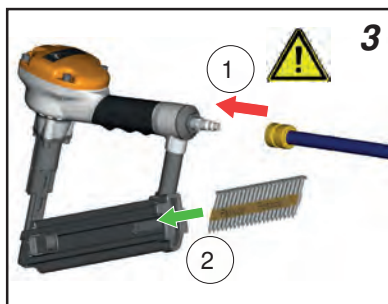
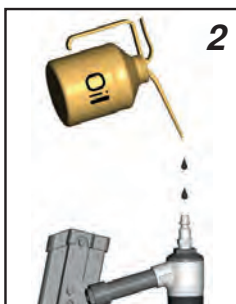
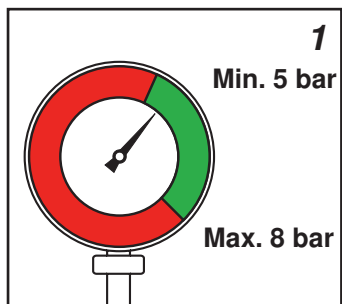


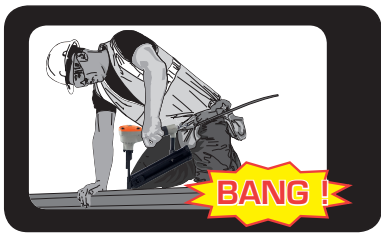
No. 151299 / No. 576216

0,5 l oil / 1 l oil

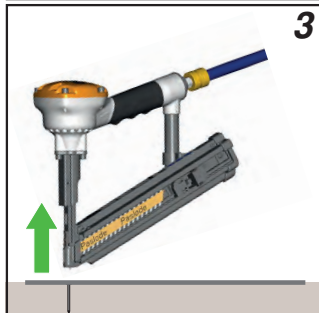
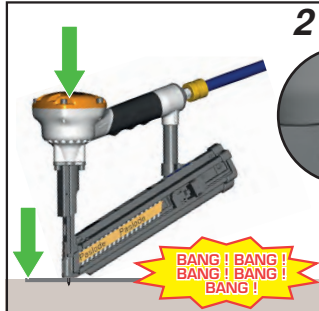
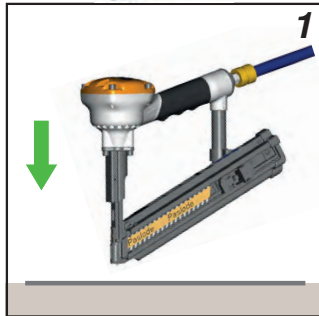


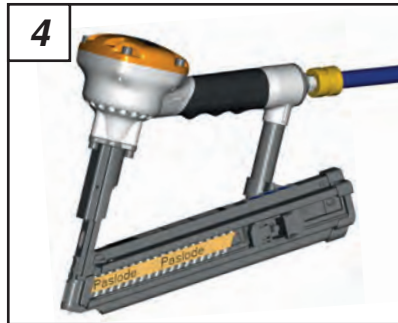
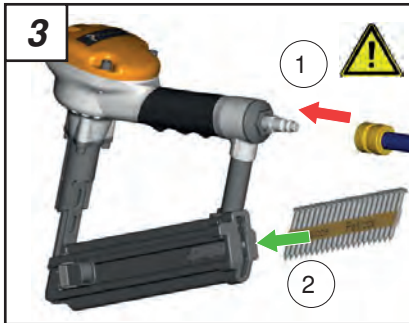
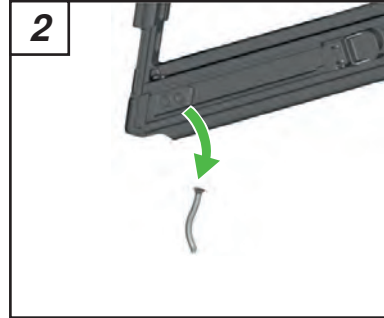
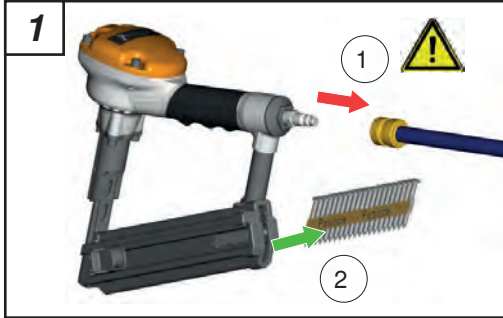
014 748





014 748







YY/WW....

YY= Year of manufacture
WW = Week of manufacture

**Resting position/ Ruheposition/ Position de repos/ Ruststand/
Posición de descanso/ Posizione di riposo/ Posição de des-
canso/ Pozycja spoczynku/ Klidová poloha/ Nyugalmi állapot/
Положение в нерабочем состоянии/ Θέση αδράνειας/ Hviles-
tilling/ Viloläge/ Hvileposisjon/ Lepoasento/ Položaj mirovanja/
Pokoiová poloha/ Položaj mirovanja/ وضع السكون / Ramybės
padėtis/ Ooteasend/ Miera stāvoklis/ Hvíldarstaða**



NOTES :





ITW CONSTRUCTION PRODUCTS EUROPE
Code 505928 (05/2019)
www.spitpaslode.com