

Part number

CKAX 03 APS



Angled Bulkhead mounting housing, CKA series, with 1 lever, Pg11 cable entry, size "21.21", bulkhead hole closed

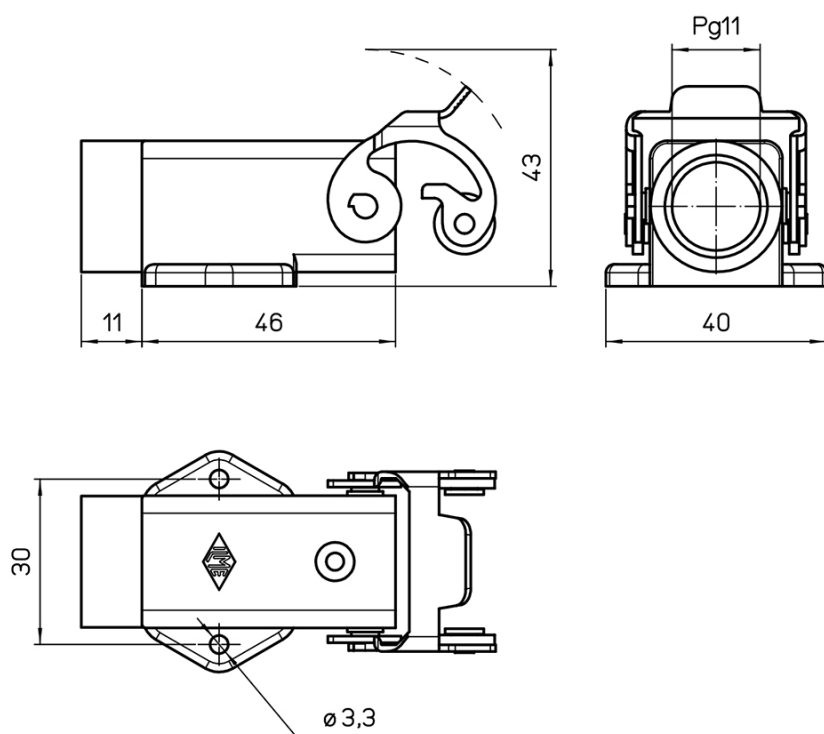
| Product description | | Material properties | |
|---|---|----------------------------------|------------------------|
| Product type | Angled bulkhead mounting housing | Main material | Zinc die-cast |
| Series | CKA | Other materials | Lever: Stainless steel |
| Closing type | With 1 lever | Colour | RAL 7040 grey |
| Size | Size "21.21" | RoHs conformity | Compliant |
| Cable entry | With cable entry Pg11 | China RoHs - EFUP | E |
| Specification | Bulkhead hole closed | REACH SVHC substances | No |
| Technical data | | Approvals / Standards | |
| IP degree of protection | IP44 - IP66 / IP67 / IP69 with CKR 65 (D) | UL | ECBT2 |
| Further technical details | | cUL | ECBT8 |
| Further technical details | | General ordering information | |
| Weight | 73,30 g | EAN13 code | 8015747027458 |
| Operating temperature range (min, max) | -40°C...+125°C | Packaging Information | |
| | | Packaging length | 450,00 mm |
| | | Packaging height | 175,00 mm |
| | | Packaging width | 230,00 mm |
| | | Packaging weight | 8,45 kg |
| | | Packaging volume | 18,11 dm ³ |
| | | Packaging description | Carton box |
| | | Packaging quantity | 100 Pcs |
| | | Packaging EAN code | 8015747233873 |
| | | Sub-packaging length | 210,00 mm |
| | | Sub-packaging height | 40,00 mm |
| | | Sub-packaging width | 175,00 mm |
| | | Sub-packaging weight | 0,85 kg |
| | | Sub-packaging volume | 1,47 dm ³ |
| | | Sub-packaging description | Carton box |
| | | Sub-packaging quantity | 10 Pcs |
| | | Sub-packaging EAN barcode | 8015747027465 |

Part number

CKAX 03 APS



Catalogue drawings



Notes

Dimensions shown in mm are not binding and may be changed without notice.