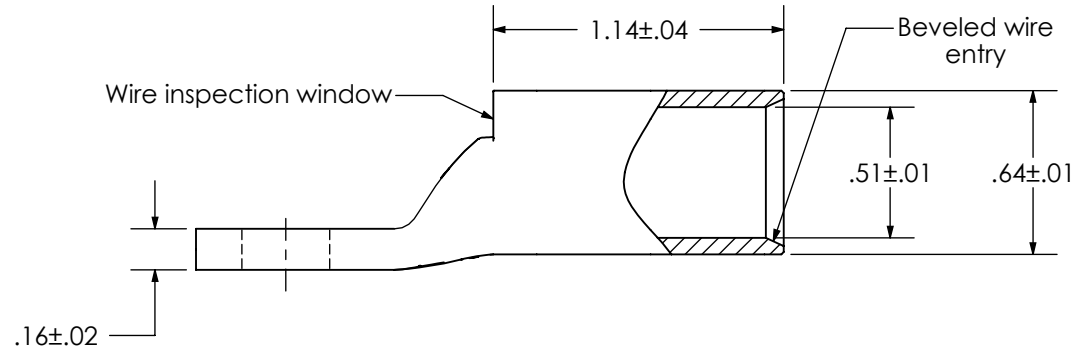
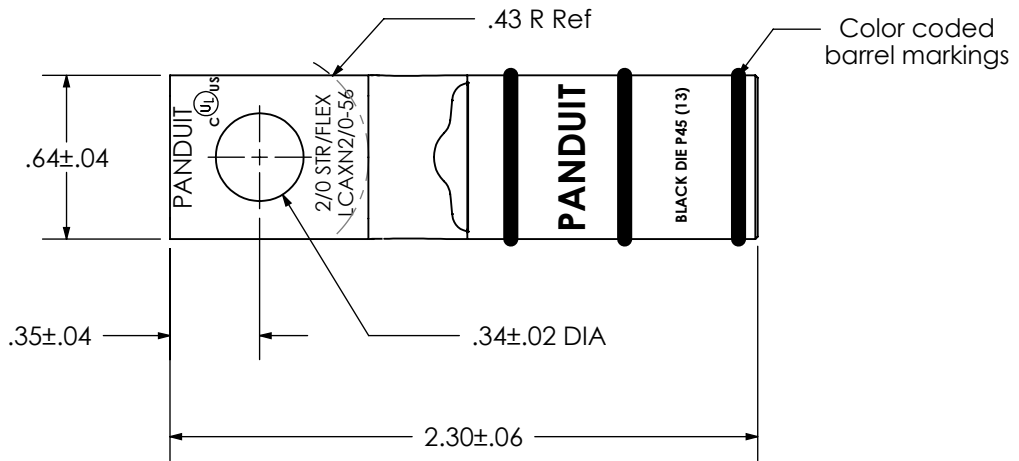


THIS COPY IS PROVIDED ON A RESTRICTED BASIS AND IS NOT TO BE USED IN ANY WAY DETRIMENTAL TO THE INTERESTS OF PANDUIT CORP.

Material	High Conductivity Seamless Copper Tube
Plating	Electro-Tin
Wire Size	2/0 STR/FLEX
Wire Type	Stranded Copper: Class B & C, Compact, Class G, H, I, K, M, Locomotive
Wire Strip Length	1-3/16 in.
Stud Size	5/16 in.
UL Listed Wire Connector	Yes, for applications up to 35kv. Consult cable manufacturer for voltage stress relief instructions with applications greater than 2000 volts.
UL Temperature Rating	90° C
C.S.A Certified Wire Connector	N/A
Panduit Color Code on Barrel	BLACK
Panduit Die Index No. on Barrel	P45
Alternate Industry Die Index No. ( ) on Barrel	(13)



REV	DATE	BY	CHK	DESCRIPTION	ECN
00	12/16	JHNU	JHNU	DRAWING RELEASED	

**PANDUIT CORP. TINLEY PARK, ILLINOIS**

LCAXN2/0-56-X  
Copper Lug - One-Hole, Narrow Tongue, Standard Flex Barrel

SCALE N/A DRAWING NO / CAD FILE LCAXN2\_0-56-CUST