

Product designation				Rotary cam switches
Product type designation				GF20
General characteristics				
Switching diagram				67 - Voltmeter switch for phase-phase voltages
N° of elements				2
Mounting form				O48 - Modular service cover for 35mm din rail mounting with black handle
Contact characteristics				
Rated insulation voltage U_i	IEC/EN	V	480	
	UL/CSA	V	240	
Rated impulse withstand voltage U_{imp}			kV	4
Conventional free air thermal current I_{th}	IEC/EN	A	20	
	UL/CSA	A	15	
Rated operational voltage			V	480
Rated operational impulse voltage			kV	4
Maximum fuse size for short-circuit protection I_n (gG)	10kA	A	20	
	15kA	A	20	
	25kA	A	20	
Rated short time current I_{cw}			1s	A
				250
Conductivity				10/5 mA/V
Operational current I_e IEC/EN	AC1/AC21A		A	20
	AC15			
	110V	A	10	
	220/230V	A	8	
	380/400V	A	6	
Rated operational power in AC	Three-phase AC-3		220/230V	kW
			380/440V	kW
				3
				5
Single-phase AC-3			110V	kW
			220/230V	kW
			380/440V	kW
				0.5
				1.5
				2
Three-phase AC23A			220/230V	kW
			380/440V	kW
				4
				7.5
Single-phase AC23A			110V	kW
			220/230V	kW
			380/440V	kW
				0.75
				2
				2.5
Rated operational current in DC				

DC21A

48V	A	20
60V	A	20
110V	A	4
220V	A	0.7
440V	A	0.2

DC13

24V	A	6
48V	A	6
60V	A	3
110V	A	1
220V	A	0.4
440V	A	0.15

Power dissipation

W 0.8

Mechanical features

Terminals screw

M3

Tightening torque for terminals max

Nm 0.5

Conductor size

AWG - Rigid cable

min	AWG	20
Max	AWG	12

AWG - Flexible cable

min	AWG	20
Max	AWG	12

Conductor size (IEC) - Flexible cable

min	mm ²	0.5
Max	mm ²	2.5

Conductor size (IEC) - Rigid cable

min	mm ²	0.5
Max	mm ²	2.5

Mechanical life

cycles 1x10⁶

UL technical data

Motor power for direct-on-line control

for three-phase motor

240V HP 3

for single-phase motor

240V HP 1

Ambient conditions

Temperature

Operating temperature

min	°C	-25
max	°C	+55

Storage temperature

min	°C	-40
max	°C	+70

Resistance & Protection

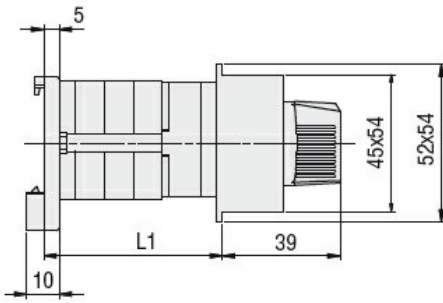
Frontal IP degree

IP40

Terminals IP degree

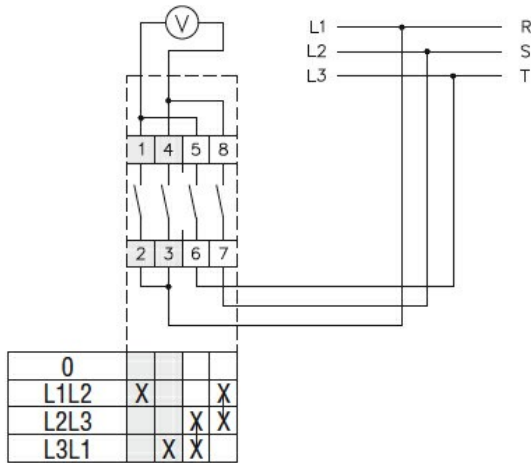
IP20

Dimensions



Series	L1		
	1	2	3
GF20	40	53.5	67

Wiring diagrams



Certifications and compliance

Compliance

CSA C22.2 n° 14
IEC/EN/BS 60947-1
IEC/EN/BS 60947-3
IEC/EN/BS 60947-5-1
UL60947-4-1

Certificates

cULus
EAC

ETIM classification

ETIM 8.0

EC001029 -
Selector switch,
complete