

Part number

CSSF 16



Female insert, CSS series, dual spring terminal connection, 16 poles + PE, 16 A 500 V 6 kV 3, size "77.27"

Product description		Material properties	
Product type	Insert	Main material	Polycarbonate (PC)
Series	CSS	Other materials	Contacts: copper alloy
Connection type	Dual spring terminal connection	Colour	RAL 7032 grey
Gender	Female		Compliant with exemption 6(c): copper alloy containing up to 4% lead by weight
N. of poles	16 poles +	RoHs conformity	
Size	Size 77.27	China RoHs - EFUP	50
Technical data		REACH SVHC substances	Yes Lead
Current	16 A	SCIP number	1a9c93ff-0445-4a16-81e3-1609ac5274d6
Voltage	500 V	Approvals / Standards	
Rated impulse withstand voltage	6 kV	Reference standard	EN 61984:2009-06
Pollution degree	3	Certifications	CSA, CQC, DNV, BV, EAC
Rated voltage according to UL/CSA	600 V	UL	ECBT2
Wire cross-section	0,14 mm ² - 2,50 mm ²	General ordering information	
AWG size	26 - 14	EAN13 code	8015747115728
Contact type	Turned silver plated	eCl@ss 8.1	27440205
IP degree of protection	IP20 without enclosure, IP65/IP66/IP68/IP69 with enclosure	ETIM 7.0	EC000438
Further technical details		Packaging Information	
Characteristics according to EN 61984	16A 500V 6kV 3; 16A 400/690V 6kV 2	Packaging length	240,00 mm
Mating cycles	≥ 500	Packaging height	220,00 mm
Insulation resistance	≥ 10 GΩ	Packaging width	210,00 mm
Contact resistance	≤ 3 mΩ	Packaging weight	4,21 kg
Weight	125,00 g	Packaging volume	11,09 dm ³
Operating temperature range (min, max)	-40 °C ... +125 °C	Packaging description	Carton box
Conductors stripping length	9...11 mm	Packaging quantity	30 Pcs
UL 94 flammability rating	V-0	Packaging EAN code	8015747215633
		Sub-packaging length	197,00 mm
		Sub-packaging height	44,00 mm
		Sub-packaging width	113,00 mm
		Sub-packaging weight	0,70 kg
		Sub-packaging volume	0,98 dm ³
		Sub-packaging description	Carton tray
		Sub-packaging quantity	5 Pcs
		Sub-packaging EAN barcode	8015747115773

Part number

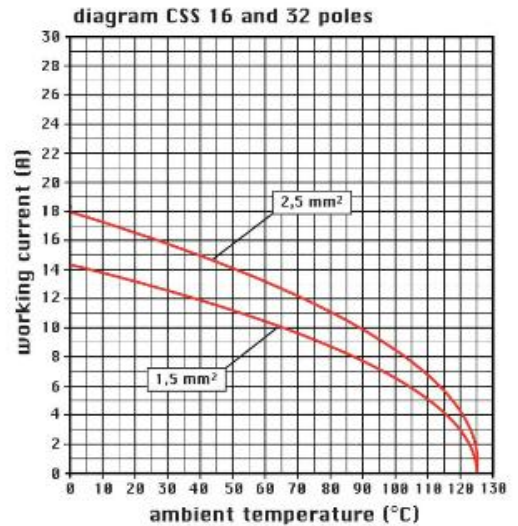
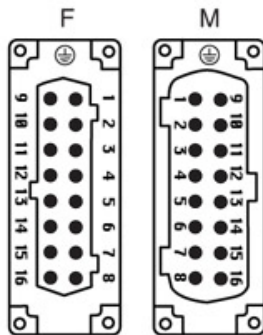
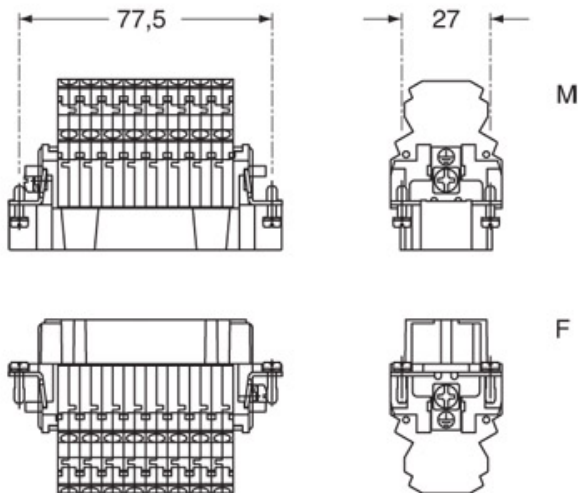
CSSF 16



Catalogue drawings

Catalogue drawings

CSSF / CSSM 16



Notes

CSSF/M 16 inserts:

- can be mated with CNE, CSE, CCE, CTE, CTSE, CSH inserts

- characteristics according to EN 61984:

16A 500V 6kV 3

16A 400/690V 6kV 2

- rated voltage according to UL/CSA: 600V

- insulation resistance: > 10 GOhm

- ambient temperature limit: -40 °C ... +125 °C

- are made of self-extinguishing thermoplastic resin UL 94 V0

- mechanical life: > 500 cycles

- contact resistance: < 3 mOhm

- enclosures: size "77.27":

C-TYPE IP65/IP66

C7 IP67 stainless steel lever

V-TYPE IP65/IP66

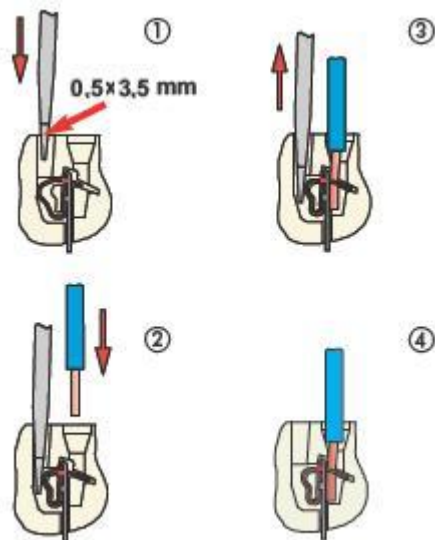
stainless steel lever

T-TYPE IP65 insulating

JEI zinc-plated steel lever

BIG hoods
W-TYPE aggressive environments
EMC
central lever
IP68
- panel supports: COB

Dimensions shown in mm are not binding and may be changed without notice.



California Proposition 65 Information



WARNING

This product can expose you to lead and its compounds, known to the State of California to cause cancer and/or reproductive toxicity. For more information go to www.P65Warnings.ca.gov.
