


Part number

SQV 1665



Interlocked switched socket-outlet, SQV series, 3 poles + N + PE, 6 h (red), 16 A, 200/346 ÷ 240/415 V, sectionable fuse carrier 10 x 38 mm

Product description

Product type	Interlocked switched socket-outlet
Series	SQV
N. of poles	3 poles + N + 
Clock position	6
Size	Socket fixing centre distance 88 x 230 mm
Specification	Sectionable fuse carrier 10 x 38 mm

Technical data

Current	16 A
Voltage	200/346 ÷ 240/415 V
IP degree of protection	IP44

Further technical details

Weight	572,00 g
Operating temperature range (min, max)	-25°C ... +40°C
IK rating (impact degree of protection)	IK08

Material properties

Colour	RAL 7035 grey, RAL 3000 red
RoHs conformity	Compliant with exemption 6(c): copper alloy containing up to 4% lead by weight
China RoHs - EFUP	50
REACH SVHC substances	Yes Lead
SCIP number	F6799547-ab84-42f2-938f-233ba663766d

Approvals / Standards

Reference standard	EN 60309-1, -2 e -4
---------------------------	---------------------

General ordering information

EAN13 code	8015747087827
-------------------	---------------

Packaging Information

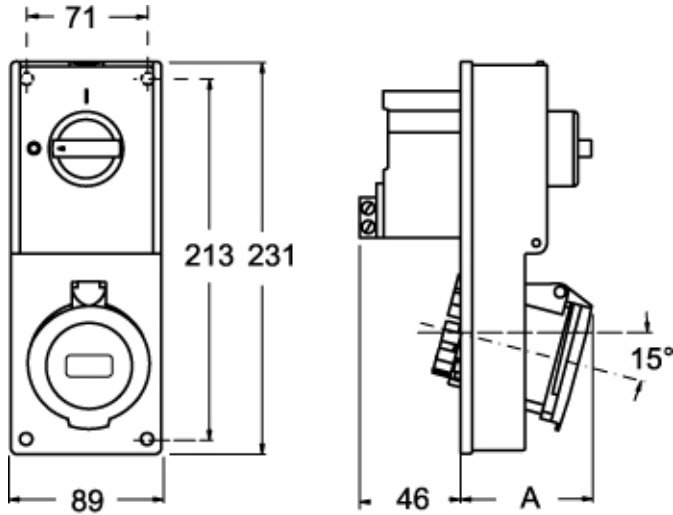
Packaging length	290,00 mm
Packaging height	250,00 mm
Packaging width	360,00 mm
Packaging weight	5,80 kg
Packaging volume	26,10 dm ³
Packaging description	Carton box
Packaging quantity	9 Pcs
Packaging EAN code	8015747087834
Sub-packaging weight	0,64 kg
Sub-packaging description	Plastic packaging
Sub-packaging quantity	1 Pcs
Sub-packaging EAN barcode	8015747087841

Part number

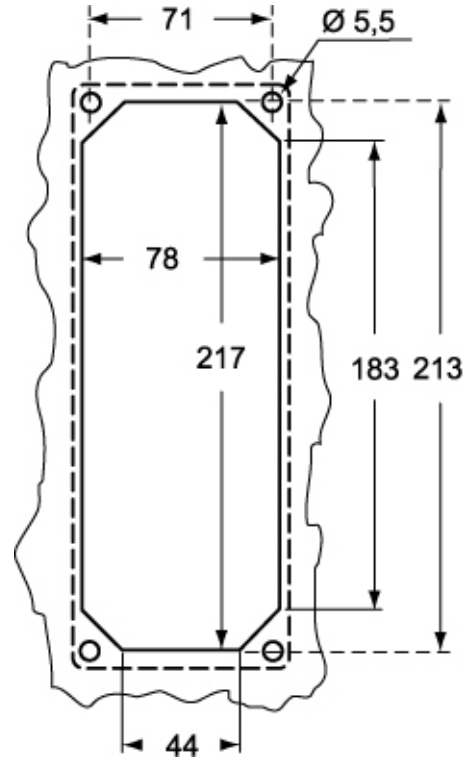
SQV 1665



Catalogue drawings



Catalogue drawings



SQV		A
16A	2P+⊕	64
	3P+⊕	65
	3P+N+⊕	67

Notes

Dimensions shown in mm are not binding and may be changed without notice.