



Product designation

Product type designation

Enclosures with cut-outs for Ø22mm units - with hole for 2 actuators  
LPZM

**General characteristics**

Colour	Grey
IEC degree of protection	IP66 and IP67

**Mechanical features**

Weight	g	458
--------	---	-----

**UL technical data**

UL degree of protection	NEMA 4X
-------------------------	---------

**Ambient conditions**

Temperature

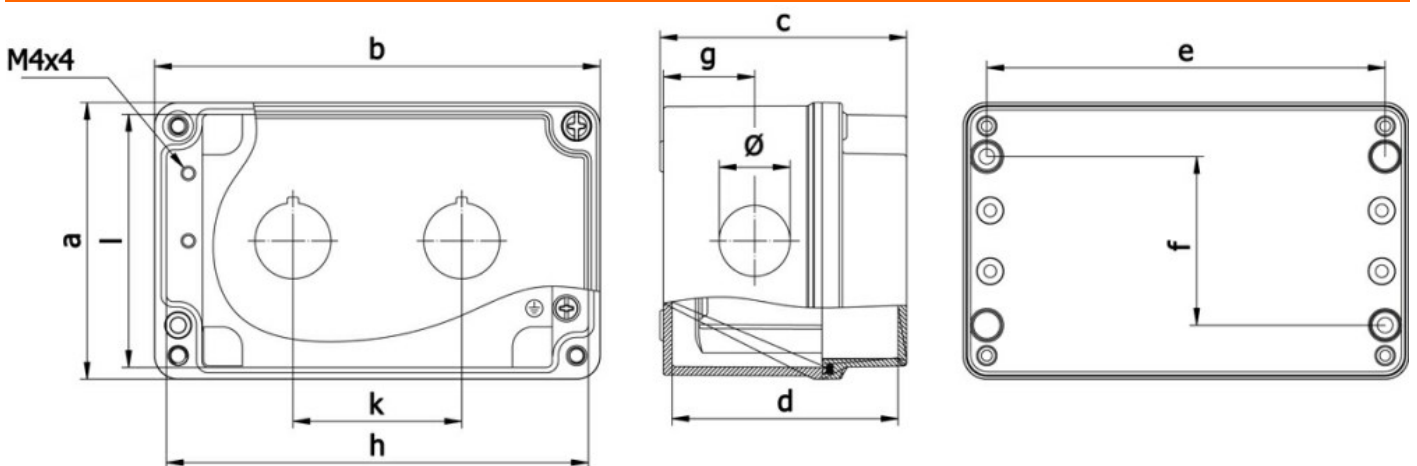
Operating temperature

min	°C	-25
max	°C	+70

Storage temperature

min	°C	-40
max	°C	+85

**Dimensions**



a	b	c	d	e	f	g	h	l	k	Ø
80	130	73	67	118	50	27	125	75	50	21

**Certifications and compliance**

Compliance

CSA C22.2 n° 14  
IEC/EN 60947-1  
IEC/EN 60947-5-1

CONTROL STATION, EMPTY WITH NO ACTUATORS, FOR 2 ACTUATORS. GREY COVER

---

UL508

---

Certificates

cULus  
EAC

---

ETIM classification

ETIM 8.0

EC000200 -  
Enclosure for  
control circuit  
devices