

A

STB BEACON STACK



BRC-L2V2 ae&t commercial reference
STB2/STB3/STB4 e2s factory reference

STB2/STB3/STB4
IP Rating: 4/4X/3R/13, IP66
Temp: -40°C to +70°C
CE Marked & UL Listed

Mountings
Multiple mounting lugs with holes
suitable for up to M6 fixings.

2.5mm² terminals
Cable entry: M20 cable entry

Complete Unit Order code	Description
STB2DCAA0A1[x]	Junction box with 2 x Beacons - DC
STB2ACAA0A1[x]	Junction box with 2 x Beacons - AC
STB3DCAA0A1[x]	Junction box with 3 x Beacons - DC
STB3ACAA0A1[x]	Junction box with 3 x Beacons - AC
STB4DCAA0A1[x]	Junction box with 4 x Beacons - DC
STB4ACAA0A1[x]	Junction box with 4 x Beacons - AC

Component Unit Code	Type	Voltage
ST-L101XDC012A1[y]	Xenon	12V DC
ST-L101XDC024A1[y]	Xenon	24V DC
ST-L101XAC115A1[y]	Xenon	115V AC
ST-L101XAC230A1[y]	Xenon	230V AC
ST-L101HDC012A1[y]	LED	12V DC
ST-L101HDC024A1[y]	LED	24V DC
ST-L101HDC048A1[y]	LED	48V DC
ST-L101HAC230A1[y]	LED	115/230V AC

[x] = Housing colour
R = Red; G = Grey; W = White

[y] = Lens Colour
A = Amber; B = Blue; C = Clear; G = Green;
M = Magenta; R = Red; Y = Yellow

- ⚠ ATTENTION : Installation must be carried out by an electrician in compliance with the latest codes and regulations.
- ⚠ ATTENTION : Disconnect from power source before installation or service to prevent electric shock.
- ⚠ ATTENTION : On strobe beacons allow a minimum of 2 minutes for hazardous high voltage to discharge from unit.
- ⚠ ATTENTION : Lens on unit will be hot allow to cool prior to removal.
- ⚠ ATTENTION : Please check factory settings and ensure the correct flash patterns are selected for your country or application.

Tel: +44 (0)20 8743 8880 Fax: +44 (0)20 8740 4200
mail: sales@æ&t.com web: www.æ&t.com
D171-00-501-1S Issue 4 Page 1 of 2 13/10/2020

B

Order Code	Nominal Voltage	ST-L101X Xenon Beacon				ST-L101H LED Beacon		
		Voltage Range	Nominal Current	Max Current		Voltage Range	Nominal Current†	Max Current
STB*DCAA0A1[x]	12 vdc	11.5-14 vdc	500mA	531mA @14 vdc	10-14 vdc	168mA	168mA @14 vdc	
	24 vdc	20-28 vdc	250mA	271mA @20 vdc	16-33 vdc	179mA	183mA @33 vdc	
STB*ACAA0A1[x]	48 vdc	42-54 vdc	170mA	160mA @42 vdc	48-260 vdc	115mA	115mA @33 vdc	
	115 vac	+/-10%	70mA	101mA @126.5 vac	48-260 vac	86mA	166mA @48 vac	
	230 vac	+/-10%	35mA	58mA @253 vac	48-260 vac	53mA	166mA @48 vac	

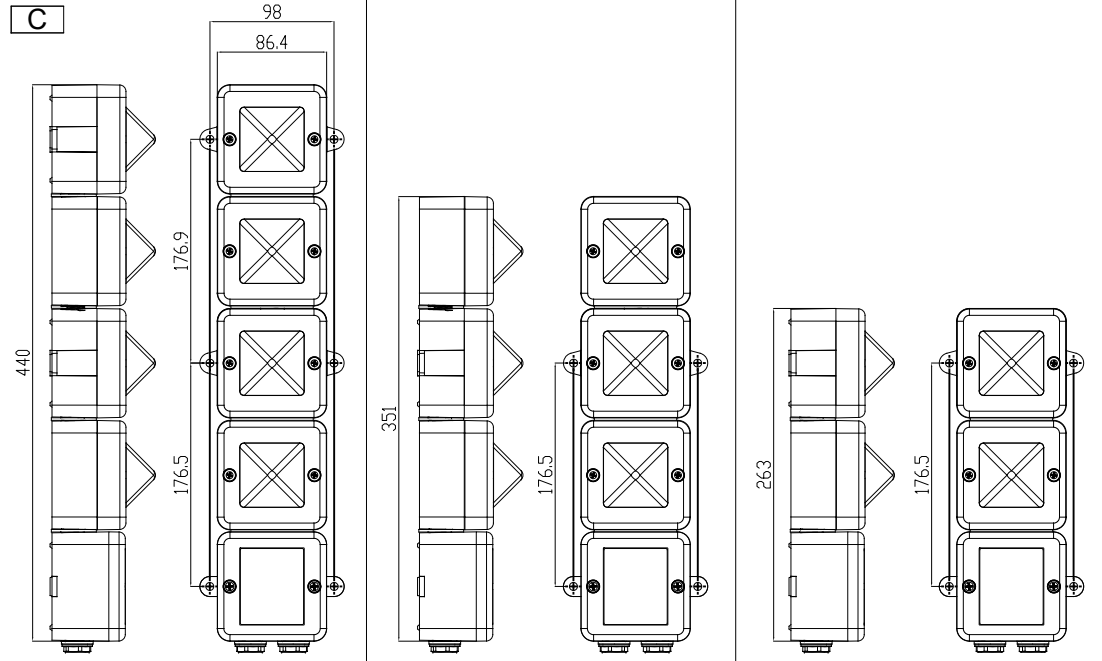
†Worst case settings (Steady On Mode), refer to ST-L101H unit Instructions for full data
*Denotes Number of Beacons (2, 3, or 4)
[x] Denotes Housing Colour: R = Red; G = Grey; W = White

For Voltage Ranges of complete units, take the highest Minimum value and lowest Maximum value in the ranges of the component units
For Current and Max Current Ratings of complete units, add the ratings from the component units:

Nominal Voltage	ST-L101HDC024A1[y]	ST-L101HDC024A1[y]	ST-L101XDC024[x]	ST-L101XDC024[x]	24V DC
Voltage Range	16- 33 V DC	16- 33 V DC	20 - 28 V DC	20 - 28 V DC	20 - 28 V DC
Current	179mA +	179mA +	250mA +	250mA	858mA
Max Current	183mA +	183mA +	271mA +	271mA +	908mA

i.e. STB4DCAA0A1[x]

C



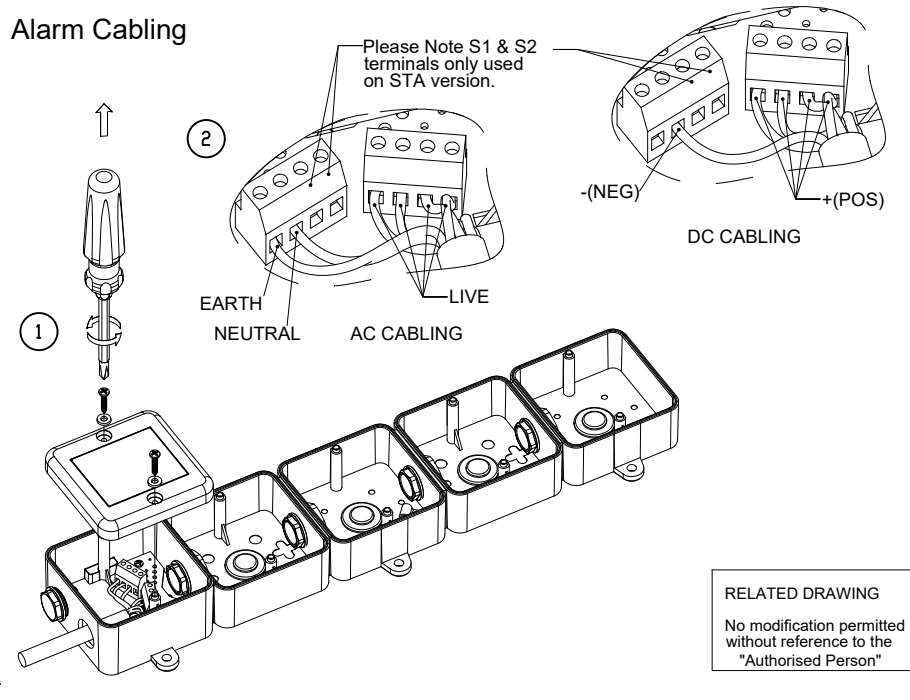
STB4 with 4 Beacons fitted.

STB3 with 3 Beacons fitted.

STB2 with 2 Beacons fitted.

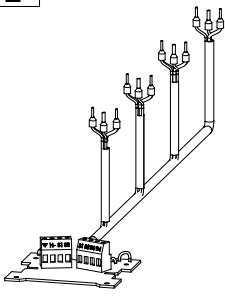
D

Alarm Cabling

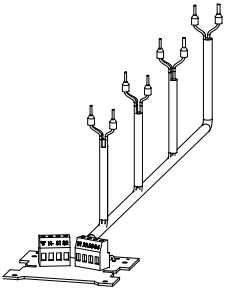


DC CABLING

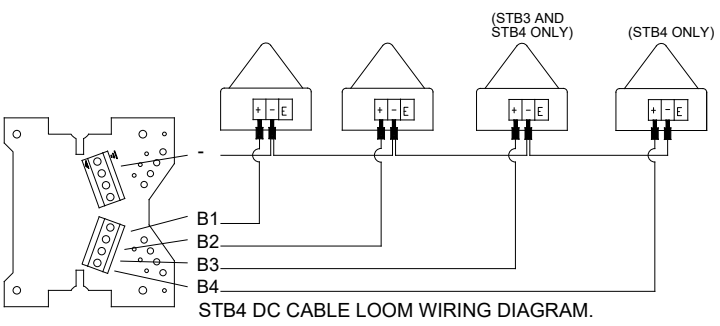
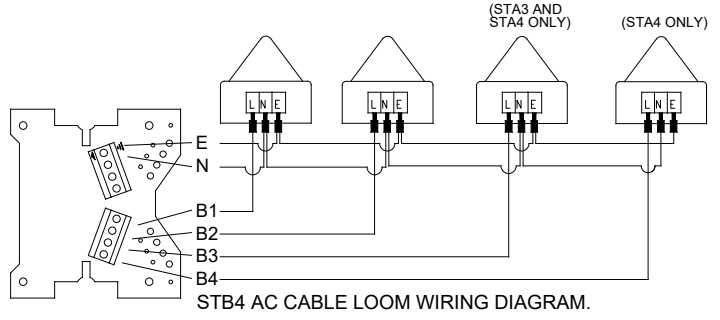
RELATED DRAWING
No modification permitted without reference to the "Authorised Person"

E

STB AC CABLE LOOM PRE-INSTALLED.



STB DC CABLE LOOM PRE-INSTALLED.



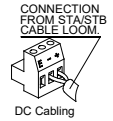
Tel : +44 (0)2 8743 8880 Fax : +44 (0)20 8740 4200
 mail : sales@e2s.com web : www.e2s.com
 D171-09-501-IS Issue 4 Page 2 of 2 13/10/2020

G

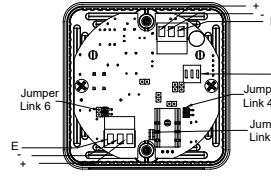
ST-L101H LED Beacon

Refer to D171-10-900-IS for full details of ST-L101H LED Beacon

DC TERMINAL	CABLE COLOUR
EARTH	WHITE
LINE	BLACK
-VE	BLACK



12V DC & 24V DC Terminals

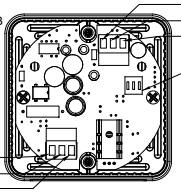
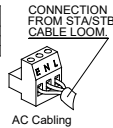


Reference for Voltage Link Settings (DC only)

Jumper Setting	Jumper Link 4	Jumper Link 5	Jumper Link 6
24VDC Mode (Default)	Open	Closed	Open
12VDC Mode (Customer set)	Closed	Open	Closed

AC/DC Units: 48V DC; 115V AC & 230V AC Terminals

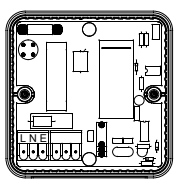
AC TERMINAL	CABLE COLOUR
EARTH	GREEN
LIVE	BLACK
NEUTRAL	WHITE



Flash Pattern Settings (AC & DC Units)

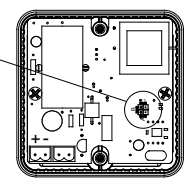
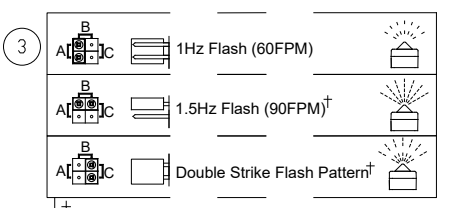
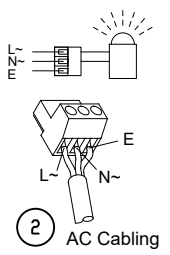
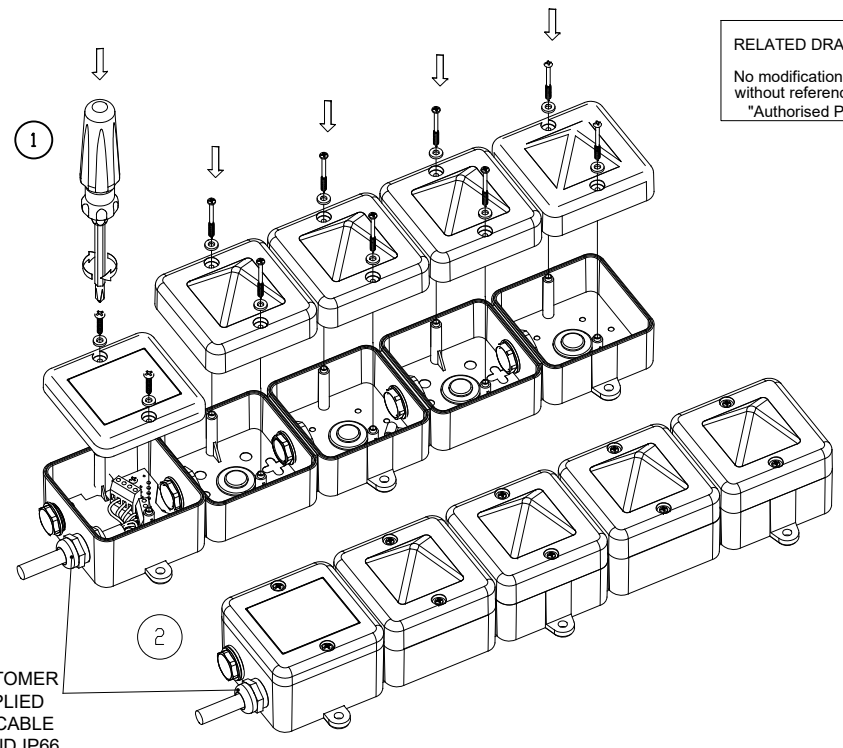
Flash Mode Dip Switch Setting	Flash Mode
(0 0 0)	Steady On
(1 0 0)	Blinking
(0 1 0)	Flashing 1Hz
(1 1 0)	Flashing 1.5Hz
(0 0 1)	Flashing Double Strike
(1 0 1)	Flashing Triple Strike
(0 1 1)	Flashing 2Hz
(1 1 1)	Flashing - Temporal

Flash Mode Dip Switch Shown with 1-OFF, 2-ON, 3-OFF (0 1 0). This denotes flash mode 1Hz. For further flash modes, see table adjacent.

F

ST-L101X Xenon Beacon

Refer to D171-10-800-IS for full details of ST-L101X Xenon Beacon

**H**

RELATED DRAWING
 No modification permitted without reference to the "Authorised Person"

CUSTOMER SUPPLIED M20 CABLE GLAND IP66