



Product designation

Top roller push  
plunger

Product type designation

KMB

**General characteristics**

Material

Housing

Aluminium-zinc  
alloy

Roller

Metal

**Contact characteristics**

Type of contact

2NC Slow action

Thermal current I<sub>th</sub>

A 10

IEC/EN 60947-5-1 designation

A300 Q300

Rated insulation voltage U<sub>i</sub>

V 440

Rated impulse withstand voltage U<sub>imp</sub>

kV 4

Short-circuit protection with fuse

Class/A 10 gG/SC  
QUICK FUSE

Switching speed

min	m/s	0.5
max	m/s	1.5

IEC Conventional free air thermal current I<sub>th</sub>

A 10

Resistance per pole (average value)

mΩ <10

**Mechanical features**

Operating head fixing

Locking bayonet  
insert

Operating torque

N	5
lb	1.1

Tightening torque (Max)

Switch fixing

Nm	2.5
lbin	22.1

Contact terminals

Nm	0.8
lbin	7

Body lid screw fixing

Nm	0.8
lbin	7

Conductor section

AWG/Kcmil

min	16
max	14

IEC

min	mm <sup>2</sup>	1 or 2
max	mm <sup>2</sup>	2.5

Cable connection

Self-releasing  
screw terminal

LIMIT SWITCH, K SERIES, TOP ROLLER PUSH PLUNGER, 1 BOTTOM CABLE ENTRY. DIMENSIONS TO EN 50047, METAL BODY, CONTACTS 2NC SLOW ACTION. METAL ROLLER

Cable entry M20 on the sides

**Operations**

Mechanical life	cycles	<10000000
Mechanical operation	cycles/h	3600

**Ambient conditions**

Temperature

Operating temperature

min	°C	-25
max	°C	+70

Storage temperature

min	°C	-40
max	°C	+70

**Resistance & Protection**

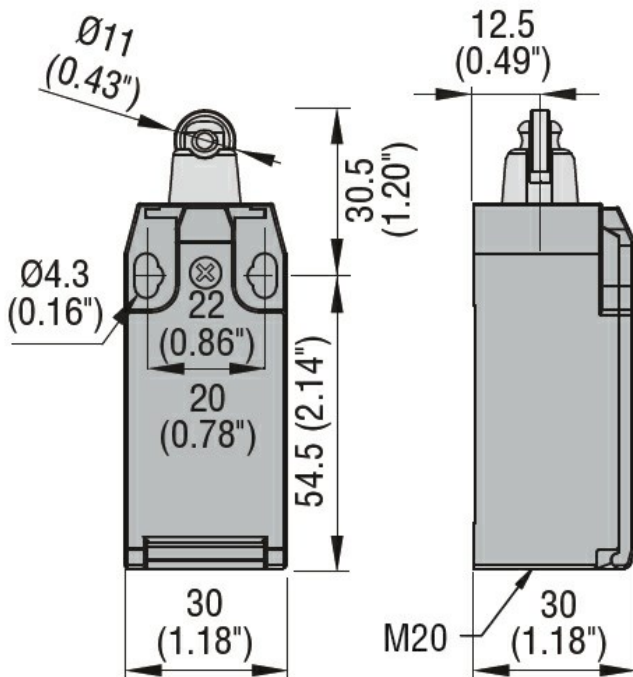
IP degree

Terminals	IP20
Body housing	IP65

Pollution degree

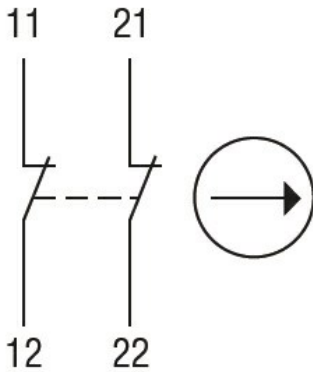
3

**Dimensions**



**Wiring diagrams**

## Slow action



**2NC**

### Certifications and compliance

#### Compliance

CSA C22.2 n° 14  
EN 50047  
IEC/EN 60204-1  
IEC/EN 60947-1  
IEC/EN 60947-5-1  
UL508

#### Certificates

CCC  
cULus  
EAC

### ETIM classification

ETIM 8.0

EC000030 - End  
switch