

Part number

# PB 16002 PI



Flush-mounting socket outlet, PLUSO series, 2 poles, 16 A, 20 ÷ 25 V, straight

#### Product description

|                       |                          |
|-----------------------|--------------------------|
| <b>Product type</b>   | Socket<br>Flush-mounting |
| <b>Series</b>         | PB...PI, PLUSO           |
| <b>N. of poles</b>    | 2 poles                  |
| <b>Clock position</b> | No key way               |
| <b>Specification</b>  | Straight                 |

#### Technical data

|                                |           |
|--------------------------------|-----------|
| <b>Current</b>                 | 16 A      |
| <b>Voltage</b>                 | 20 ÷ 25 V |
| <b>IP degree of protection</b> | IP44      |

#### Further technical details

|   |                 |
|---|-----------------|
| <b>Weight</b>                                 | 96,00 g         |
| <b>Operating temperature range (min, max)</b> | -25°C ... +40°C |

#### Material properties

|                    |                                      |
|--------------------|--------------------------------------|
| <b>Colour</b>      | RAL 7035 grey, RAL 4001 lilac        |
| <b>SCIP number</b> | Ca7de37f-add8-4b77-9861-279c94903ade |

#### Approvals / Standards

|                           |                   |
|---------------------------|-------------------|
| <b>Reference standard</b> | EN 60309-1 and -2 |
|---------------------------|-------------------|

#### General ordering information

|                   |               |
|-------------------|---------------|
| <b>EAN13 code</b> | 8015747060639 |
|-------------------|---------------|

#### Packaging Information

|                              |                      |
|------------------------------|----------------------|
| <b>Packaging length</b>      | 195,00 mm            |
| <b>Packaging height</b>      | 135,00 mm            |
| <b>Packaging width</b>       | 155,00 mm            |
| <b>Packaging weight</b>      | 1,07 kg              |
| <b>Packaging volume</b>      | 4,08 dm <sup>3</sup> |
| <b>Packaging description</b> | Carton box           |
| <b>Packaging quantity</b>    | 10 Pcs               |
| <b>Packaging EAN code</b>    | 8015747082075        |

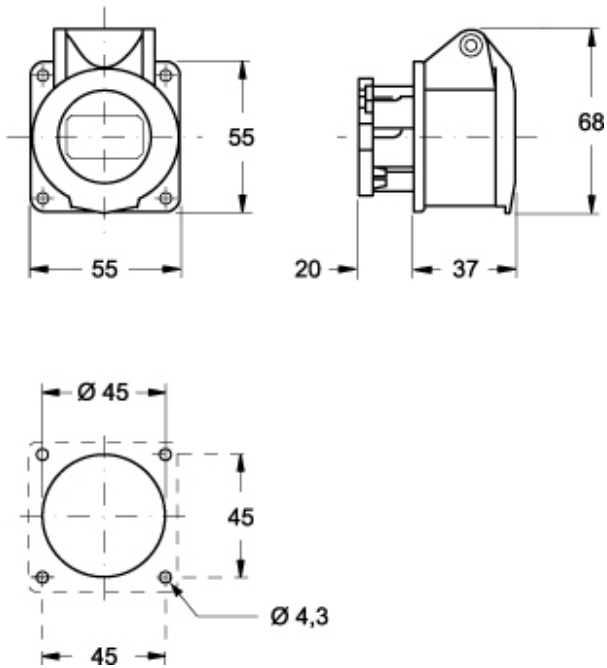
Part number

# PB 16002 PI



## Catalogue drawings

( 16 / 32A ) PB ... PI



## Notes

Dimensions shown in mm are not binding and may be changed without notice.

- 
- Compliant with EN 60309-1 and -2
  - Enclosure, insert and spring lid in insulating, thermoplastic, self-extinguishing material
  - RAL 7035 grey enclosure
  - Spring lid colour coded according to the operating voltage and frequency
  - Wall-mounting types PB...PP, top entry with threaded grommet (replaceable with cable gland)
  - Flush-mounting types PB...PI, flange with anti-aging gasket
  - Coupler types PB...PV, cable anchoring collar incorporated in the insert, entry with grommet
  - Terminals with retained screws
  - Nickel-plated contacts on request
  - IP44 degree of protection (EN 60529)
-