



Top push rod  
plunger  
KBA

Product designation

Product type designation

**General characteristics**

Material

Housing

Rod

Polymer  
thermoplastic  
Aluminium-zinc  
alloy

**Contact characteristics**

|   |         |                        |
|---|---------|------------------------|
| Type of contact   |         | 2NC Snap action        |
| Thermal current I <sub>th</sub>                           | A       | 10                     |
| IEC/EN 60947-5-1 designation                              |         | A600 Q300              |
| Rated insulation voltage U <sub>i</sub>                   | V       | 690                    |
| Rated impulse withstand voltage U <sub>imp</sub>          | kV      | 6                      |
| Insulation class  |         | II                     |
| Short-circuit protection with fuse                        | Class/A | 10 gG/SC<br>QUICK FUSE |
| Switching speed   | min     | m/s 0.5                |
|   | max     | m/s 1.5                |
| IEC Conventional free air thermal current I <sub>th</sub> | A       | 10                     |
| Resistance per pole (average value)                       | mΩ      | <10                    |

**Mechanical features**

|                         |      |                           |
|-------------------------|------|---------------------------|
| Operating head fixing   |      | Locking bayonet<br>insert |
| Operating torque        | N    | 5                         |
|                         | lb   | 1.1                       |
| Tightening torque (Max) |      |                           |
| Switch fixing           | Nm   | 2.5                       |
|                         | lbin | 22.1                      |
| Contact terminals       | Nm   | 0.8                       |
|                         | lbin | 7                         |
| Body lid screw fixing   | Nm   | 0.8                       |
|                         | lbin | 7                         |
| Conductor section       |      |                           |
| AWG/Kcmil               | min  | 16                        |
|                         | max  | 14                        |
| IEC                     | min  | mm <sup>2</sup> 1or 2     |
|                         | max  | mm <sup>2</sup> 2.5       |

|                  |                               |
|------------------|-------------------------------|
| Cable connection | Self-releasing screw terminal |
| Cable entry      | M20 on the bottom             |

**Operations**

|                      |          |           |
|----------------------|----------|-----------|
| Mechanical life      | cycles   | <10000000 |
| Mechanical operation | cycles/h | 3600      |

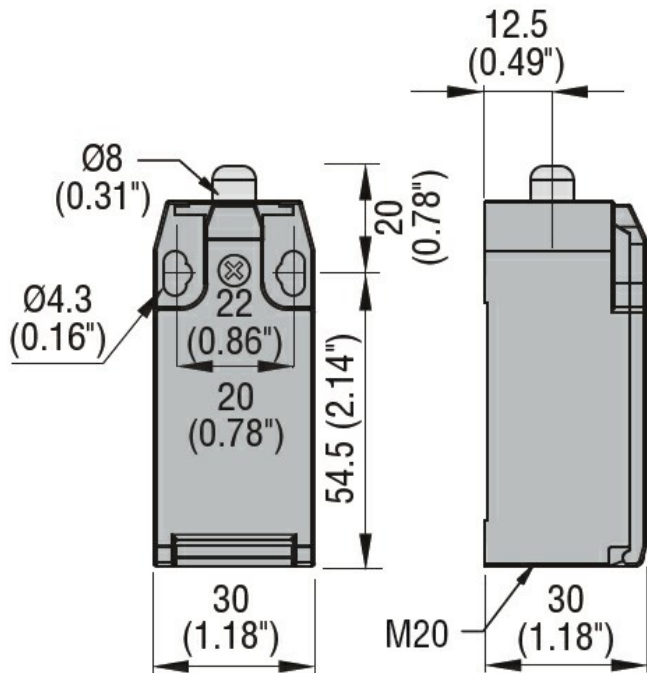
**Ambient conditions**

|                       |     |    |     |
|-----------------------|-----|----|-----|
| Temperature           |     |    |     |
| Operating temperature |     |    |     |
|                       | min | °C | -25 |
|                       | max | °C | +70 |
| Storage temperature   |     |    |     |
|                       | min | °C | -40 |
|                       | max | °C | +70 |

**Resistance & Protection**

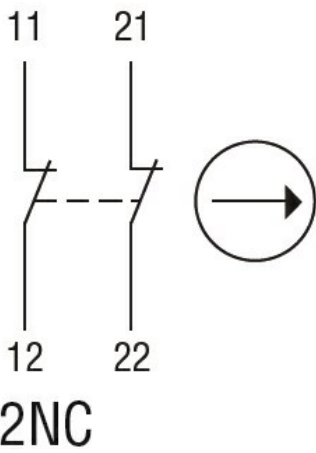
|                  |              |      |
|------------------|--------------|------|
| IP degree        | Terminals    | IP20 |
|                  | Body housing | IP65 |
| Pollution degree |              | 3    |

**Dimensions**



**Wiring diagrams**

## Snap action



### Certifications and compliance

#### Compliance

CSA C22.2 n° 14  
EN 50047  
IEC/EN 60204-1  
IEC/EN 60947-1  
IEC/EN 60947-5-1  
UL508

#### Certificates

CCC  
cULus  
EAC

### ETIM classification

ETIM 8.0

EC000030 - End  
switch