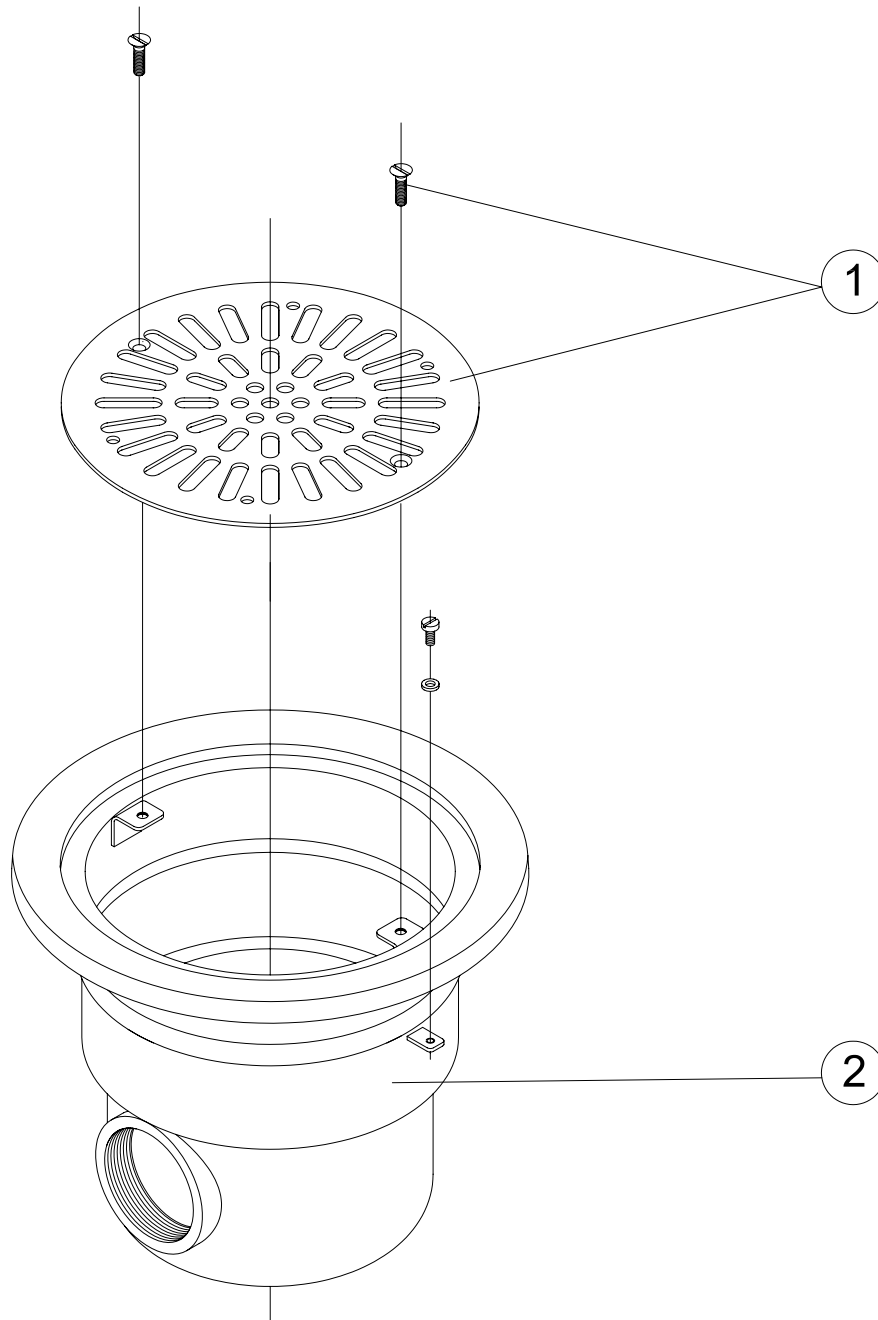


CODES: 00268

DESCRIPTION: DRAIN S.S. 2" SIDE CONNECTION



POS.	CODE	DESCRIPTION	POS.	CODE	DESCRIPTION
1	4402020701	S.S. GRILLE	2	00268R0100	MAIN DRAIN BODY