



INDUSTRIAL  
RELAYS ATEX  
HR802C

Product designation

Product type designation

**Contact characteristics**

Contact configuration			2 C/O
Rated insulation voltage $U_i$ IEC/EN	V		250
Rated impulse withstand voltage $U_{imp}$	kV		4
IEC Conventional free air thermal current $I_{th}$	A		30 NO (3A NC)
Rated current ( $I_n$ )	A		30
Relay control voltage	V		12VDC
Single-phase motor control		230VAC	kW 2.2
Contact impedance		m $\Omega$	50
Contact material			Ag/SnO <sub>2</sub>

**Operating times**

Closing		ms	25
Opening		ms	25

**Operations**

Mechanical life		cycles	5000000
Electrical life AC1		cycles	100000

**Coil characteristics**

Average coil consumption AC at 20°C		VA	1,7
Average coil consumption DC at 20°C		W	1,7

**Operating range**

	Closing	% $U_n$	80...110
	Opening	% $U_n$	20...55
Maximum cycle frequency		cycles/h	360

**Mechanical features**

Operating position		normal	Any
Fixing			With screw

**Ambient conditions**

**Temperature**

Operating temperature

min	°C	-40
max	°C	+85

Storage temperature

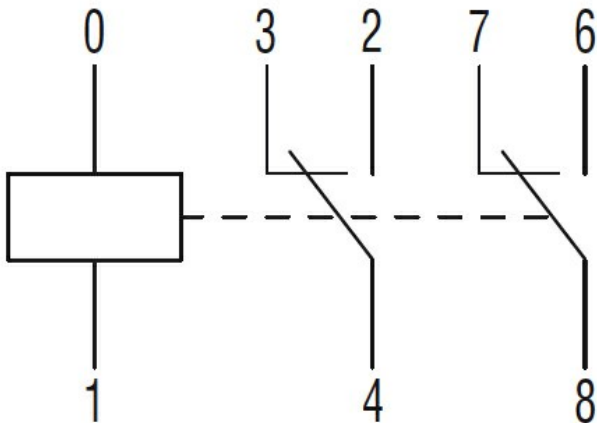
min	°C	-40
max	°C	+85

**Other features**

Indication		No
Mechanical contact position indicator		No
Mechanical test actuator		No

**Dimensions**

**Wiring diagrams**



### Certifications and compliance

#### Compliance

IEC/EN/BS 61810-1

#### Certificates

cURus

EAC

TUV (ATEX)

VDE

### ETIM classification

ETIM 8.0

EC001437 –  
Switching relay