



Product designation

Signal tower  
Ø70mm/2.75"  
8TL7FL - Light  
modules

Product type designation

**General characteristics**

Diameter	mm - inch	70 / 2.75
Supply voltage (AC)	V	24
Supply voltage (DC)	V	24
Colour		Red
IEC degree of protection		IP65
Light consumption per module (AC)	mA	135
Light consumption per module (DC)	mA	75
Sound module consumption (AC)	mA	135
Sound module consumption (DC)	mA	75

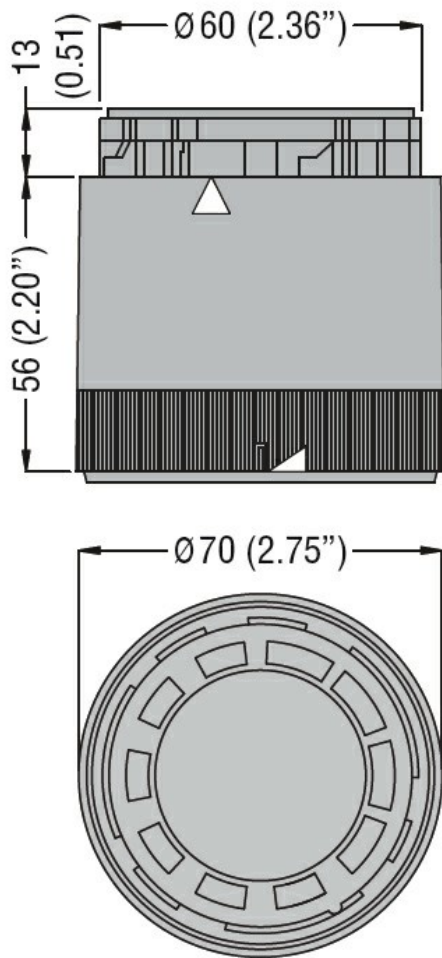
**Mechanical features**

Weight	g	92
--------	---	----

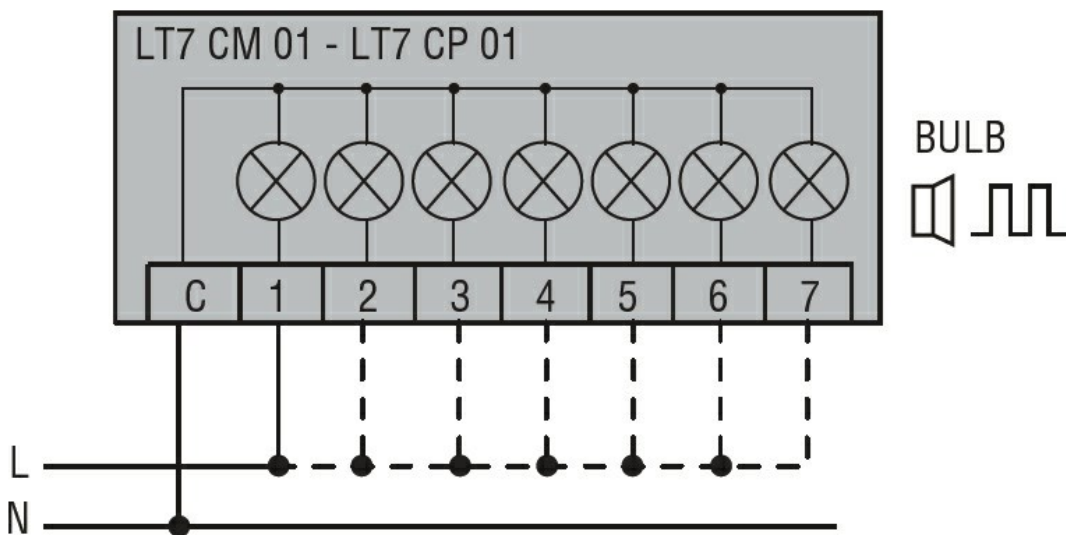
**Ambient conditions**

Temperature	Operating temperature	min	°C	-20
		max	°C	+50

**Dimensions**



Wiring diagrams



Connect terminals C and 1 as indicated to power the first module. If other modules are fitted, the respective terminals must be connected accordingly.

Certifications and compliance

Compliance

CSA C22.2 n° 14

---

IEC/EN 60947-1

---

IEC/EN 60947-5-1

---

UL508

---

Certificates

cULus

---

EAC

---

ETIM classification

ETIM 8.0

EC000232 -  
Optical module  
for signal tower