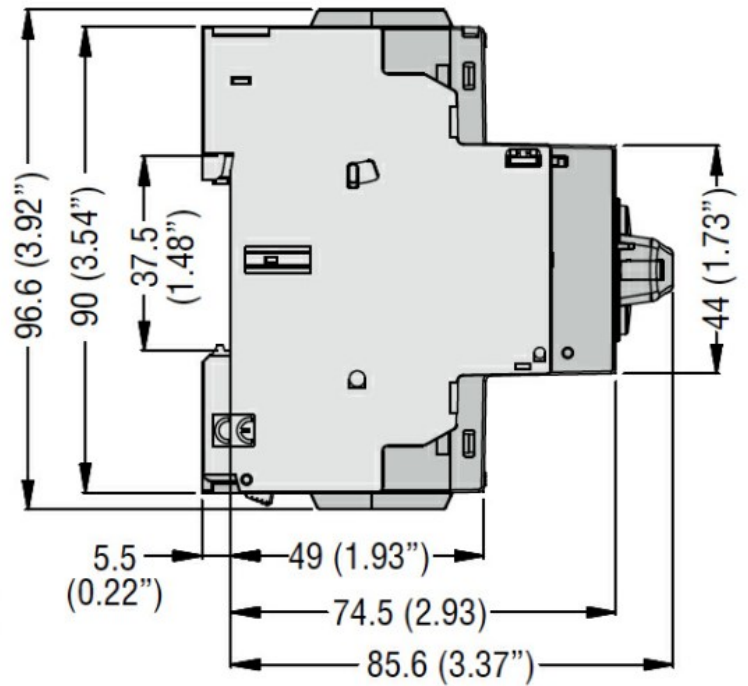
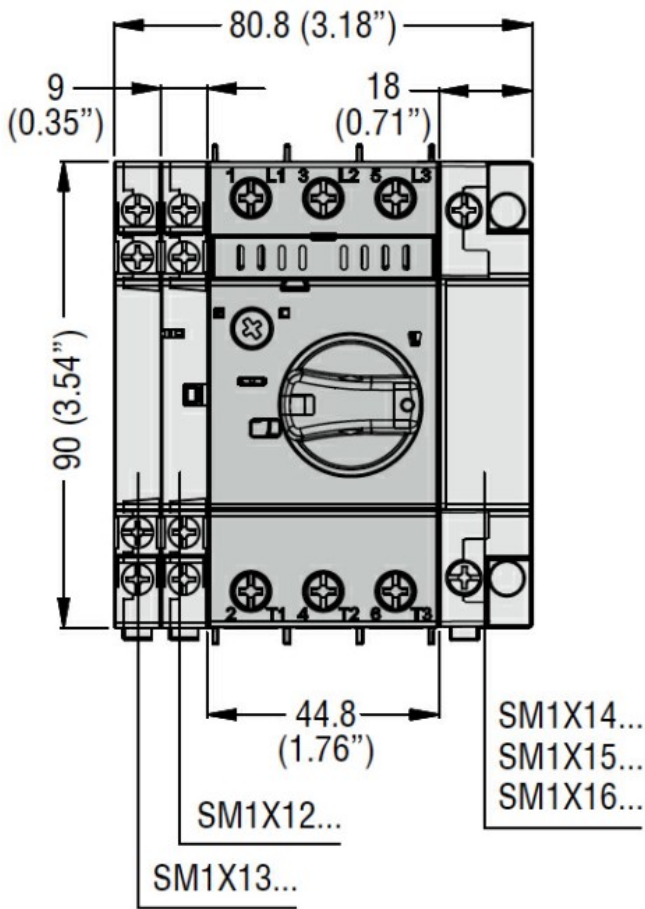




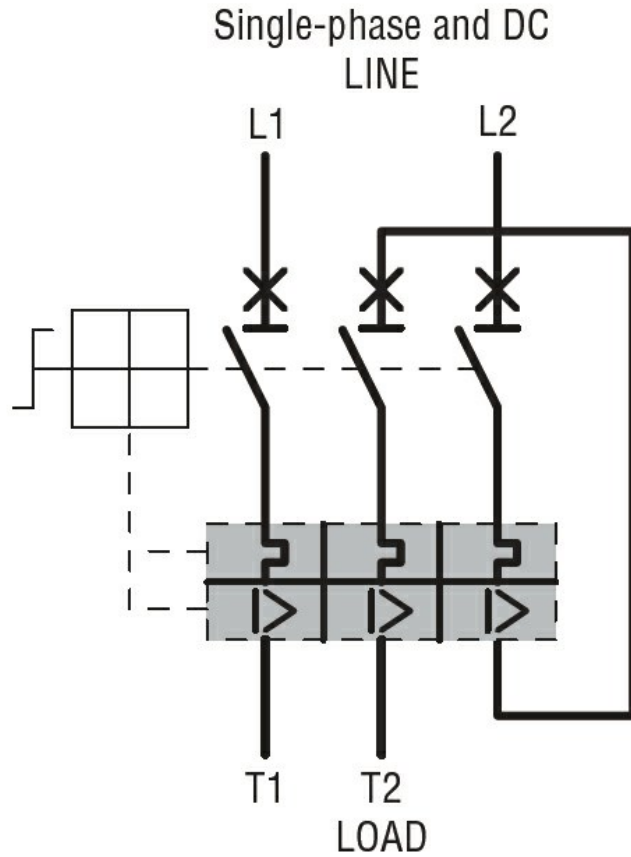
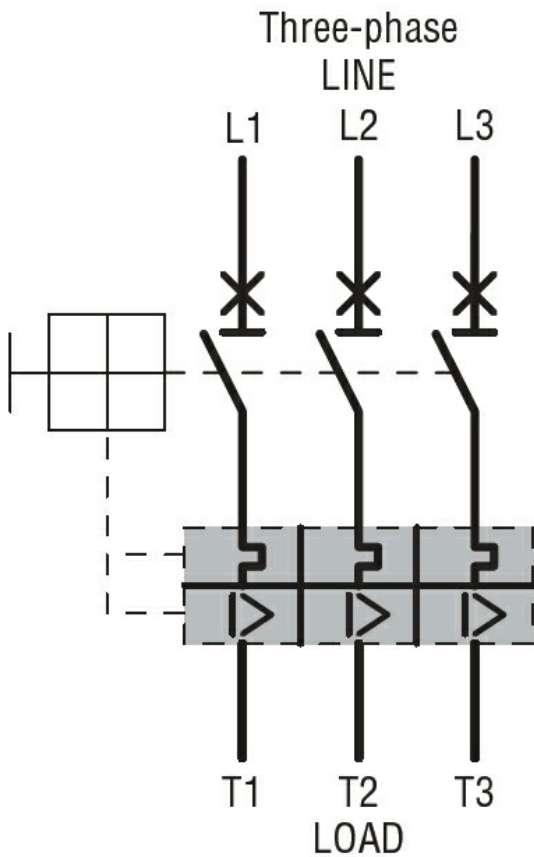
Product designation				Motor protection circuit breaker SM1RM
Product type designation				SM1RM
Electrical features				
Magnetic protection				yes
Thermal protection				no
Rated insulation voltage U_i IEC/EN	V			690
Rated impulse withstand voltage U_{imp}	kV			6
Rated frequency	Hz			50/60
Rated current (I_n)	A			1.6
Magnetic tripping				$13 \times I_n$
Power dissipation per pole	min	W	0.90	
	max	W	2.30	
Operational short-circuit current breaking capacity (I_{cs}) at AC	230V	kA	100	
	400V	kA	100	
	440V	kA	100	
	500V	kA	100	
	690V	kA	100	
Maximum short-circuit current breaking capacity (I_{cu}) at AC	230V	kA	100	
	400V	kA	100	
	440V	kA	100	
	500V	kA	100	
	690V	kA	100	
IEC Utilization category				A
Operations				
Mechanical life			cycles	100000
Electrical life			cycles	100000
Mechanical features				
Tightening torque for terminals	min	Nm	2.5	
	max	Nm	3	
	min	lbin	22	
	max	lbin	26.5	
Conductor section	AWG/Kcmil	min	16	
		max	8	
Flexible w/o lug conductor section	min	mm ²	1	
	max	mm ²	10	
Flexible c/w lug conductor section	min	mm ²	1	

		max	mm ²	10
Flexible with insulated spade lug conductor section		min	mm ²	1
		max	mm ²	10
Screwdriver				PH2
Cable stripping length				
	main circuit	mm		12
Ambient conditions				
Temperature				
Operating temperature				
		min	°C	-20
		max	°C	+60
Storage temperature				
		min	°C	-50
		max	°C	+80
Compensation temperature				
		min	°C	-20
		max	°C	+50
Max altitude			m	3000
Operating position		allowable		Any
Fixing				Screw / DIN rail 35mm
Weight			g	320
UL technical data				
Motor Disconnect				
		at 480V	kA	50
		at 600V	kA	50
		protection		Fuse or CB
Group Motor Installation				
		at 480V	kA	50
		at 600V	kA	50
		protection		Fuse or CB
Tap Conductor Protection				
		at 480Y/277V	kA	50
		at 600Y/347V	kA	50

Dimensions



Wiring diagrams



Certifications and compliance

Certifications

CSA C22.2 n° 60947-4-1

IEC/EN 60947-1

IEC/EN 60947-2

IEC/EN 60947-4-1

UL60947-4-1

Compliance

cULus

EAC

ETIM classification

ETIM 8.0

EC000074 -
Motor protection
circuit-breaker