

Product designation				Rotary cam switches
Product type designation				GX32
<b>General characteristics</b>				
Switching diagram				12 - Star-delta motor starter switch
N° of elements				4
Mounting form				O - Rear mounting with black handle
<b>Contact characteristics</b>				
Rated insulation voltage $U_i$	IEC/EN	V	690	
	UL/CSA	V	600	
Rated impulse withstand voltage $U_{imp}$		kV	6	
Conventional free air thermal current $I_{th}$	IEC/EN	A	32	
	UL/CSA	A	32	
Rated operational voltage		V	440	
Rated operational impulse voltage		kV	4	
Maximum fuse size for short-circuit protection $I_n$ (gG)	10kA	A	35	
	15kA	A	35	
	25kA	A	35	
Rated short time current $I_{cw}$				
		1s	A	1000
Conductivity				10/5 mA/V
Operational current $I_e$ IEC/EN	AC1/AC21A			
			A	32
AC15	110V	A	25	
	220/230V	A	20	
	380/400V	A	10	
	660/690V	A	2	
Rated operational power in AC	Three-phase AC-3			
	220/230V	kW	7.5	
	380/440V	kW	11	
	500/690V	kW	11	
	Single-phase AC-3			
	110V	kW	1.8	
	220/230V	kW	3.5	
	380/440V	kW	5.5	
	Three-phase AC23A			
	220/230V	kW	8	
	380/440V	kW	15	
	500/690V	kW	15	
Single-phase AC23A				
110V	kW	2.2		
220/230V	kW	3.5		
380/440V	kW	6		

Rated operational current in DC

DC21A

48V	A	32
60V	A	32
110V	A	5
220V	A	0.8
440V	A	0.25

DC23A (poles in series)

24V	A	32 (1)
48V	A	32 (2)
60V	A	32 (3)
110V	A	15 (3)
220V	A	12 (4)

DC13

24V	A	32
48V	A	25
60V	A	14
110V	A	3
220V	A	0.5
440V	A	0.15

Power dissipation

W	1.6
---	-----

Mechanical features

Terminals screw

M4

Tightening torque for terminals max

Nm	1.2
----	-----

Conductor size

AWG - Rigid cable

min	AWG	16
Max	AWG	8

AWG - Flexible cable

min	AWG	16
Max	AWG	10

Conductor size (IEC) - Flexible cable

min	mm <sup>2</sup>	1.5
Max	mm <sup>2</sup>	6

Conductor size (IEC) - Rigid cable

min	mm <sup>2</sup>	1.5
Max	mm <sup>2</sup>	10

Mechanical life

cycles	1X10 <sup>6</sup>
--------	-------------------

UL technical data

Motor power for direct-on-line control

for three-phase motor

120V	HP	3
240V	HP	7.5
480V	HP	15
600V	HP	15

for single-phase motor

120V	HP	1.5
240V	HP	3

Ambient conditions

Temperature

Operating temperature

min	°C	-25
max	°C	+55

Storage temperature

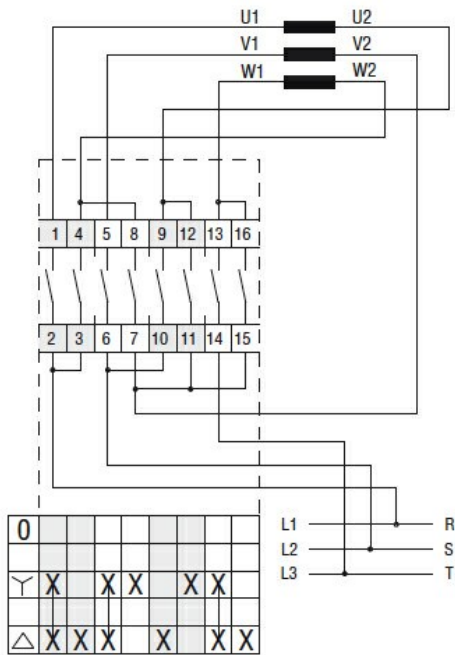
min	°C	-40
max	°C	+70

**Resistance & Protection**

Frontal IP degree	IP65
Terminals IP degree	IP20

**Dimensions**

**Wiring diagrams**



**Certifications and compliance**

**Compliance**

- CSA C22.2 n° 14
- IEC/EN/BS 60947-1
- IEC/EN/BS 60947-3
- IEC/EN/BS 60947-5-1
- IEC/EN/BS 61058-1
- UL60947-4-1

**Certificates**

- cULus
- EAC

**ETIM classification**

ETIM 8.0

EC001029 -  
Selector switch,  
complete