



Product designation

Adjustable roller
lever

Product type designation

KBF

General characteristics

Material

Housing
Roller

Polymer
thermoplastic
Plastic

Contact characteristics

| | | | |
|---|--|---------|------------------------|
| Type of contact | | | 3NC Slow action |
| Thermal current I _{th} | | A | 10 |
| IEC/EN 60947-5-1 designation | | | A600 Q300 |
| Rated insulation voltage U _i | | V | 690 |
| Rated impulse withstand voltage U _{imp} | | kV | 6 |
| Insulation class | | | II |
| Short-circuit protection with fuse | | Class/A | 10 gG/SC QUICK FUSE |
| Switching speed | | min | m/s 0.5 |
| | | max | m/s 1.5 |
| IEC Conventional free air thermal current I _{th} | | A | 10 |
| Resistance per pole (average value) | | mΩ | <10 |

Mechanical features

Operating head fixing

Locking bayonet
insert

Operating torque

Ncm 3
ozin 4.25

Tightening torque (Max)

Switch fixing

Nm 2.5
lbin 22.1

Contact terminals

Nm 0.8
lbin 7

Body lid screw fixing

Nm 0.8
lbin 7

Conductor section

AWG/Kcmil

min 16
max 14

IEC

min mm² 1or 2
max mm² 2.5

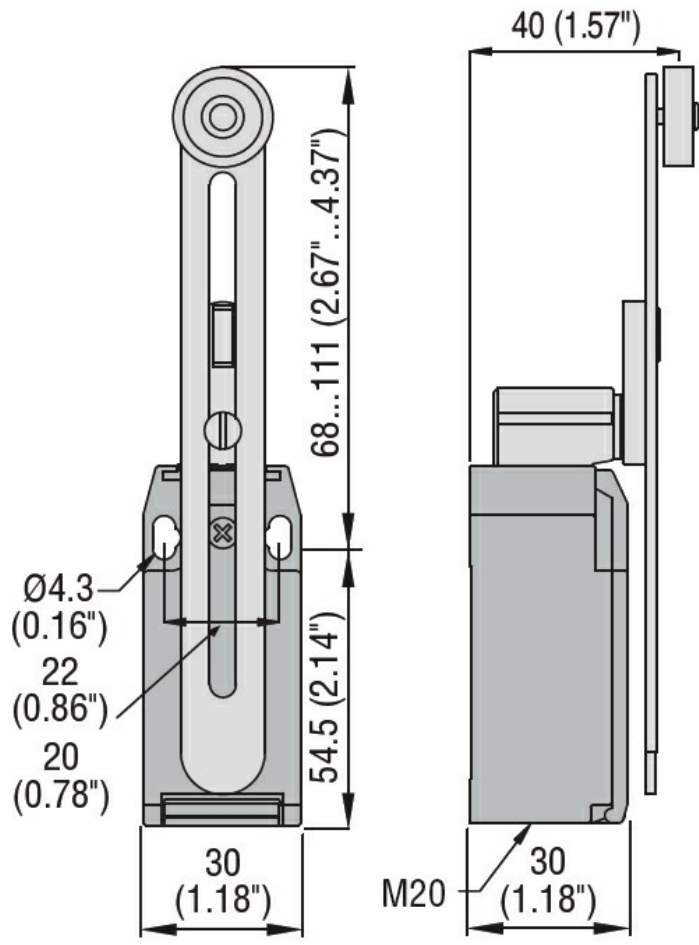
| | |
|------------------|-------------------------------|
| Cable connection | Self-releasing screw terminal |
| Cable entry | M20 on the bottom |

| | |
|----------------------|------------------|
| Operations | |
| Mechanical life | cycles <10000000 |
| Mechanical operation | cycles/h 3600 |

| | |
|---------------------------|--------|
| Ambient conditions | |
| Temperature | |
| Operating temperature | |
| min | °C -25 |
| max | °C +70 |
| Storage temperature | |
| min | °C -40 |
| max | °C +70 |

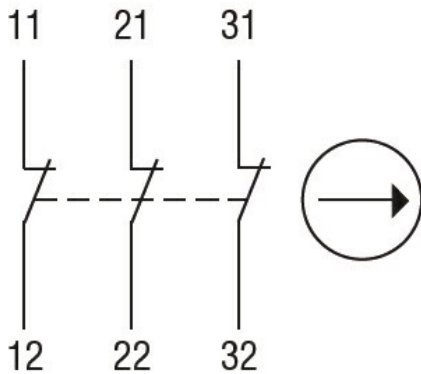
| | |
|------------------------------------|-------------------------------------|
| Resistance & Protection | |
| IP degree | Terminals IP20 Body housing IP65 |
| Pollution degree | 3 |

Dimensions



Wiring diagrams

Slow action



3NC

Certifications and compliance

Compliance

CSA C22.2 n° 14

EN 50047

IEC/EN 60204-1

IEC/EN 60947-1

IEC/EN 60947-5-1

UL508

Certificates

CCC

cULus

EAC

ETIM classification

ETIM 8.0

EC000030 - End
switch