

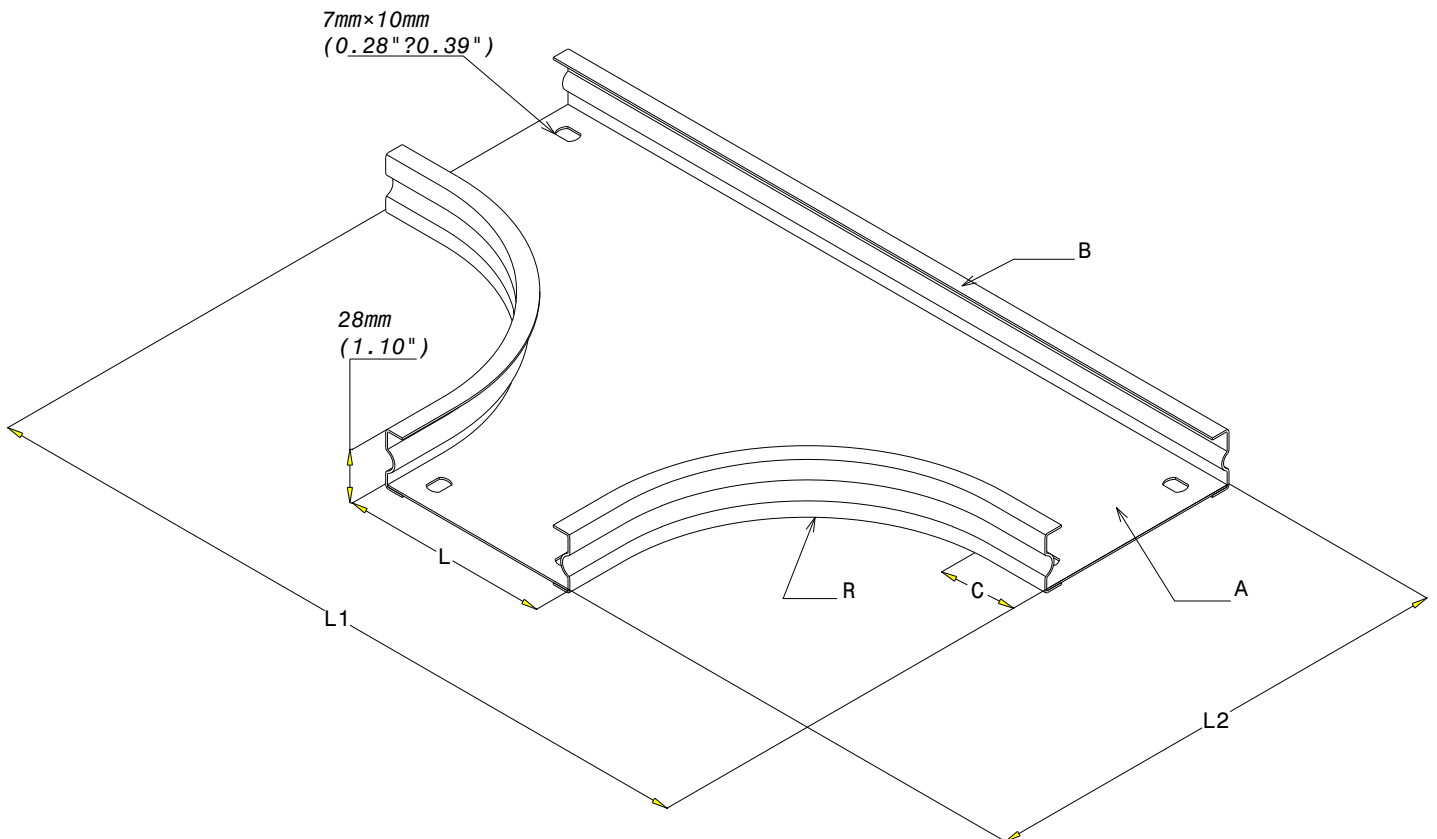
TE P31 T H25 50 à 500  
T-PIECE P31 25x50 to 500

GS  
PG

**legrand** | CABLE  
MANAGEMENT

FT0589-0

06 18



REF	CODE	L	/L	A	/A	B	/B	C	/C	R	/R	L1	/L1	L2	/L2
		(mm)	(inch)	(mm)	(inch)	(mm)	(inch)	(mm)	(inch)	(mm)	(inch)	(mm)	(inch)	(mm)	(inch)
P31 T 25x50	341 095	50	(1.97")	0.8	0.032"	1	0.039"	30	(1.18")	20	(1.78")	148	(5.83")	99	(3.90")
P31 T 25x75	341 096	75	(2.92")	0.8	0.032"	1	0.039"	30	(1.18")	100	(3.94")	333	(13.11")	204	(8.03")
P31 T 25x100	341 097	100	(3.94")	0.8	0.032"	1	0.039"	30	(1.18")	100	(3.94")	358	(14.11")	229	(9.02")
P31 T 25x150	341 098	150	(5.91")	0.8	0.032"	1	0.039"	30	(1.18")	100	(3.94")	408	(16.08")	279	(10.99")
P31 T 25x200	341 099	200	(7.87")	0.8	0.032"	1	0.039"	30	(1.18")	100	(3.94")	458	(18.05")	329	(12.96")
P31 T 25x300	341 100	300	(11.81")	1	0.039"	1	0.039"	30	(1.18")	100	(3.94")	558	(21.99")	429	(16.90")
P31 T 25x400	341 101	400	(15.75")	1	0.039"	1	0.039"	50	(1.97")	150	(5.91")	798	(31.44")	599	(23.60")
P31 T 25x500	341 102	500	(19.69")	1	0.039"	1	0.039"	50	(1.97")	150	(5.91")	898	(35.38")	699	(27.54")

NORMES  
STANDARD

MATIERE / MATERIAL  
DX 51 D Z 200 MAC

EN 10 346

PROTECTION / COATING  
Pregalvanised

EN 10 346