

Part number

# MZP 15 L25



Surface mounting housing, IL-BRID series,  
with 1 lever, M25 cable entry, size "49.16"

#### Product description

<b>Product type</b>	Surface mounting housing
<b>Series</b>	IL-BRID
<b>Closing type</b>	With 1 lever
<b>Size</b>	Size "49.16"
<b>Cable entry</b>	M25

#### Technical data

<b>IP degree of protection</b>	IP66
--------------------------------	------

#### Further technical details

<b>Weight</b>	150,00 g
<b>Operating temperature range (min, max)</b>	-40°C...+125°C

#### Material properties

<b>Colour</b>	RAL 7040 grey
<b>RoHs conformity</b>	Compliant
<b>China RoHs - EFUP</b>	E
<b>REACH SVHC substances</b>	No

#### Approvals / Standards

<b>UL</b>	ECBT2
<b>cUL</b>	ECBT8

#### General ordering information

<b>EAN13 code</b>	8015747060493
<b>eCl@ss 8.1</b>	27440202
<b>ETIM 7.0</b>	EC000437

#### Packaging Information

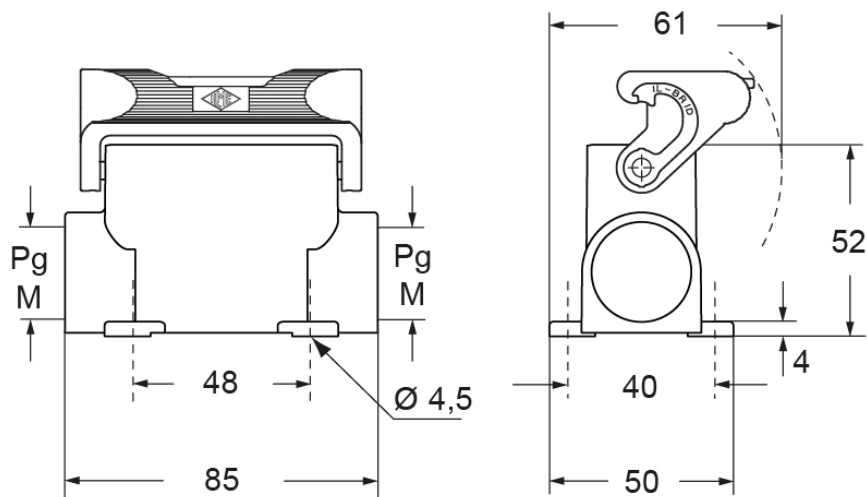
<b>Packaging length</b>	140,00 mm
<b>Packaging height</b>	120,00 mm
<b>Packaging width</b>	260,00 mm
<b>Packaging weight</b>	1,65 kg
<b>Packaging volume</b>	4,37 dm <sup>3</sup>
<b>Packaging description</b>	Carton box
<b>Packaging quantity</b>	10 Pcs
<b>Packaging EAN code</b>	8015747171939
<b>Sub-packaging weight</b>	0,83 kg
<b>Sub-packaging description</b>	Plastic packaging
<b>Sub-packaging quantity</b>	5 Pcs
<b>Sub-packaging EAN barcode</b>	8015747171946

Part number

# MZP 15 L25



Catalogue drawings



## Notes

Dimensions shown in mm are not binding and may be changed without notice.