

Part number

# CQ4M 02



Male insert, CQ series, crimp connection, 2 poles + PE, 40 A 400 V 6 kV 3, size "21.21", cable diameter up to 7,5 mm

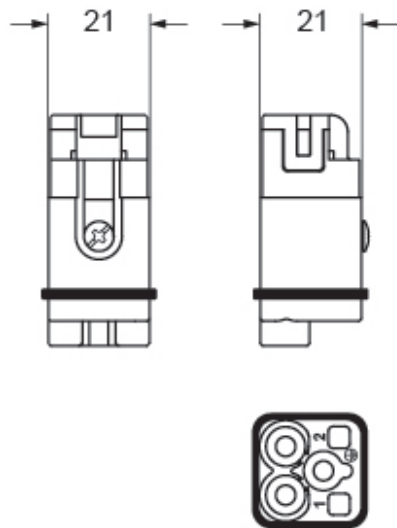
Product description		Material properties	
<b>Product type</b>	Insert	<b>Main material</b>	Polycarbonate (PC)
<b>Series</b>	CQ	<b>Other materials</b>	Gasket: NBR
<b>Connection type</b>	Crimp connection	<b>Colour</b>	RAL 7032 grey
<b>Gender</b>	Male	<b>RoHs conformity</b>	Compliant
<b>N. of poles</b>	2 poles + $\oplus$	<b>China RoHs - EFUP</b>	E
<b>Size</b>	Size "21.21"	<b>REACH SVHC substances</b>	No
<b>Specification</b>	Cable diameter up to 7,5 mm	<b>Approvals / Standards</b>	
<b>Technical data</b>		<b>Certifications</b>	DNV, BV, EAC
<b>Current</b>	40 A	<b>UL</b>	ECBT2, PVVA2
<b>Voltage</b>	400 V	<b>cUL</b>	ECBT8, PVVA8
<b>Rated impulse withstand voltage</b>	6 kV	<b>General ordering information</b>	
<b>Pollution degree</b>	3	<b>EAN13 code</b>	8015747258913
<b>Rated voltage according to UL/CSA</b>	600 V	<b>eCl@ss 8.1</b>	27440205
<b>IP degree of protection</b>	IP20 without enclosure, IP44/IP66/IP67/IP68/IP69 with enclosure	<b>ETIM 7.0</b>	EC000438
<b>Further technical details</b>		<b>Packaging Information</b>	
<b>Characteristics according to EN 61984</b>	40 A 400 V 6 kV 3	<b>Packaging length</b>	230,00 mm
<b>Mating cycles</b>	≥ 500	<b>Packaging height</b>	160,00 mm
<b>Insulation resistance</b>	≥ 10 GΩ	<b>Packaging width</b>	270,00 mm
<b>Contact resistance</b>	≤ 0,3 mΩ	<b>Packaging weight</b>	3,02 kg
<b>Weight</b>	14,00 g	<b>Packaging volume</b>	9,94 dm <sup>3</sup>
<b>Operating temperature range (min, max)</b>	-40 °C ... +125 °C	<b>Packaging description</b>	Carton box
<b>UL 94 flammability rating</b>	V-0	<b>Packaging quantity</b>	200 Pcs
<b>Tightening torque for fixing screws</b>	M3: 0,5 Nm; 4,4 lb.in (Ph1 or 0,8 x 5,5 mm)	<b>Packaging EAN code</b>	8015747258920
		<b>Sub-packaging length</b>	197,00 mm
		<b>Sub-packaging height</b>	35,00 mm
		<b>Sub-packaging width</b>	124,00 mm
		<b>Sub-packaging weight</b>	0,60 kg
		<b>Sub-packaging volume</b>	0,85 dm <sup>3</sup>
		<b>Sub-packaging description</b>	Carton tray
		<b>Sub-packaging quantity</b>	40 Pcs
		<b>Sub-packaging EAN barcode</b>	8015747258937

Part number

# CQ4M 02



## Catalogue drawings



---

## Notes

Dimensions shown in mm are not binding and may be changed without notice.

---