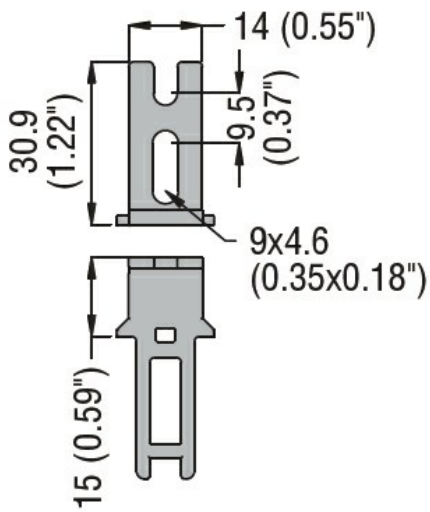




**General characteristics**

Key shape Angled

**Dimensions**



**Certifications and compliance**

Compliance

- CSA C22.2 n° 14

---

- EN 50047

---

- IEC/EN 60204-1

---

- IEC/EN 60947-1

---

- IEC/EN 60947-5-1

---

- UL508

Certificates

- cULus

---

- EAC

**ETIM classification**

ETIM 8.0

EC002498 -  
 Accessories/spare  
 parts for low-  
 voltage switch  
 technology