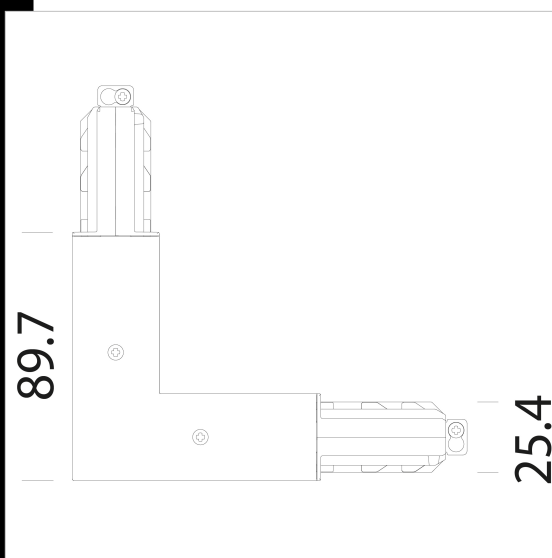
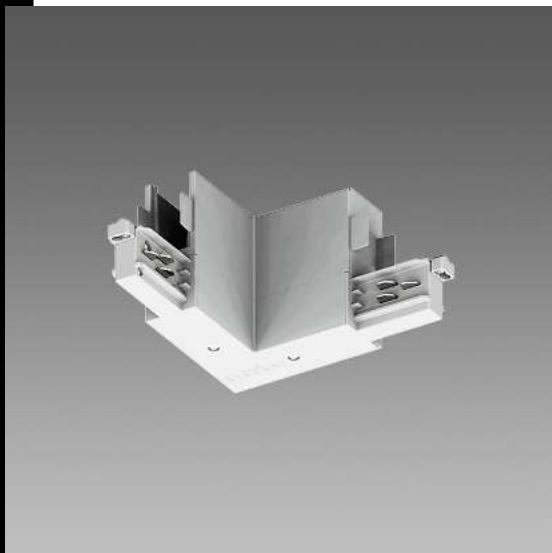


External L-shaped Joint H

It permits electric and mechanical connection.

Download

DXF 2D
- 26210.dxf



Code	Kg	WTot	Colour
22026210-00	0,23	0 W	BLANC

Prodotti



- Omnitrack H - Dimm - 6

The reported luminous flux is the flux emitted by the light source with a tolerance of $\pm 10\%$ compared to the indicated value. The W tot column indicates the total wattage absorbed by the system without exceeding 10% of the indicated