

LL3-DB07

LL3

FIBERS

SICK
Sensor Intelligence.



Ordering information

Type	Part no.
LL3-DB07	5325988

Other models and accessories → www.sick.com/LL3

Detailed technical data

Features

Device type	Fibers
Functional principle	Proximity system
For fiber-optic sensor	GLL170(T), WLL180, WLL80
Fiber length	2,000 mm
Fiber material	Polymethylmethacrylat (PMMA)
Jacket material	Polyethylen (PE)
Fiber head material	Stainless steel
Outer diameter, fiber-optic cable connection	1 mm
Fiber-optic cable cuttable	✓
Thread diameter (housing)	M3
Fiber-optic head design	Threaded sleeve
Fiber arrangement	Coaxial arrangement
Core structure	S: Ø 0,5 mm, R: 9 x Ø 0,265 mm Coaxial arrangement
Angle of dispersion < 60°	No
Compatibility with infrared light (1,450 nm)	No
Highly flexible/elastic fibers (bend radius 1–4 mm)	No
Adapter end sleeves required	Yes
Angle of dispersion	60°
Integrated lens	No
Minimal object diameter	0.02 mm ¹⁾
Included with delivery	Mounting, 2 x M3 hexagon nut, 1 x washer, adapter sleeves, 1 x BF-WLL160-10 (1.0 mm) adapter sleeve, 1 x BF-WLL160-13 (1.3 mm) adapter sleeve, FC fiber cutter (5304141)
Compatibility tip adapters	Yes

¹⁾ Minimum detectable object was determined at optimum measuring distance and optimum setting.

Mechanics/electronics

Bend radius, fibre-optic cable	25 mm
Ambient operating temperature	-40 °C ... +60 °C

Classifications

ECLASS 5.0	27270905
ECLASS 5.1.4	27270905

ECLASS 6.0	27270905
ECLASS 6.2	27270905
ECLASS 7.0	27270905
ECLASS 8.0	27270905
ECLASS 8.1	27270905
ECLASS 9.0	27270905
ECLASS 10.0	27270905
ECLASS 11.0	27270905
ECLASS 12.0	27270905
ETIM 5.0	EC002651
ETIM 6.0	EC002651
ETIM 7.0	EC002651
ETIM 8.0	EC002651
UNSPSC 16.0901	39121528

Sensing ranges with WLL80

Operating mode 16 μs	50 mm
Operating mode 70 μs	190 mm
Operating mode 250 μs	305 mm
Operating mode 500 μs	385 mm
Operating mode 1 ms	430 mm
Operating mode 2 ms	590 mm
Operating mode 8 ms	800 mm

Sensing ranges with WLL180T

Operating mode 16 μs	27 mm
Operating mode 70 μs	88 mm
Operating mode 250 μs	165 mm
Operating mode 2 ms	330 mm
Operating mode 8 ms	350 mm
Note	Sensing ranges related to fiber-optic sensors with type of light: visible red light

Sensing ranges with GLL170

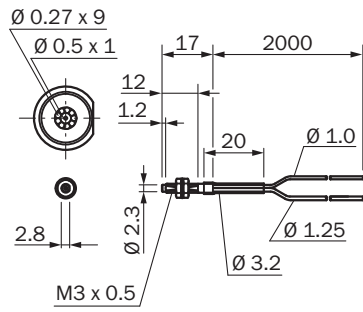
Operating mode 250 μs	90 mm
---	-------

Sensing ranges with GLL170T

Operating mode 50 μs	50 mm
Operating mode 250 μs	120 mm

Dimensional drawing (Dimensions in mm (inch))

LL3-DB07



SICK AT A GLANCE

SICK is one of the leading manufacturers of intelligent sensors and sensor solutions for industrial applications. A unique range of products and services creates the perfect basis for controlling processes securely and efficiently, protecting individuals from accidents and preventing damage to the environment.

We have extensive experience in a wide range of industries and understand their processes and requirements. With intelligent sensors, we can deliver exactly what our customers need. In application centers in Europe, Asia and North America, system solutions are tested and optimized in accordance with customer specifications. All this makes us a reliable supplier and development partner.

Comprehensive services complete our offering: SICK LifeTime Services provide support throughout the machine life cycle and ensure safety and productivity.

For us, that is “Sensor Intelligence.”

WORLDWIDE PRESENCE:

Contacts and other locations –www.sick.com