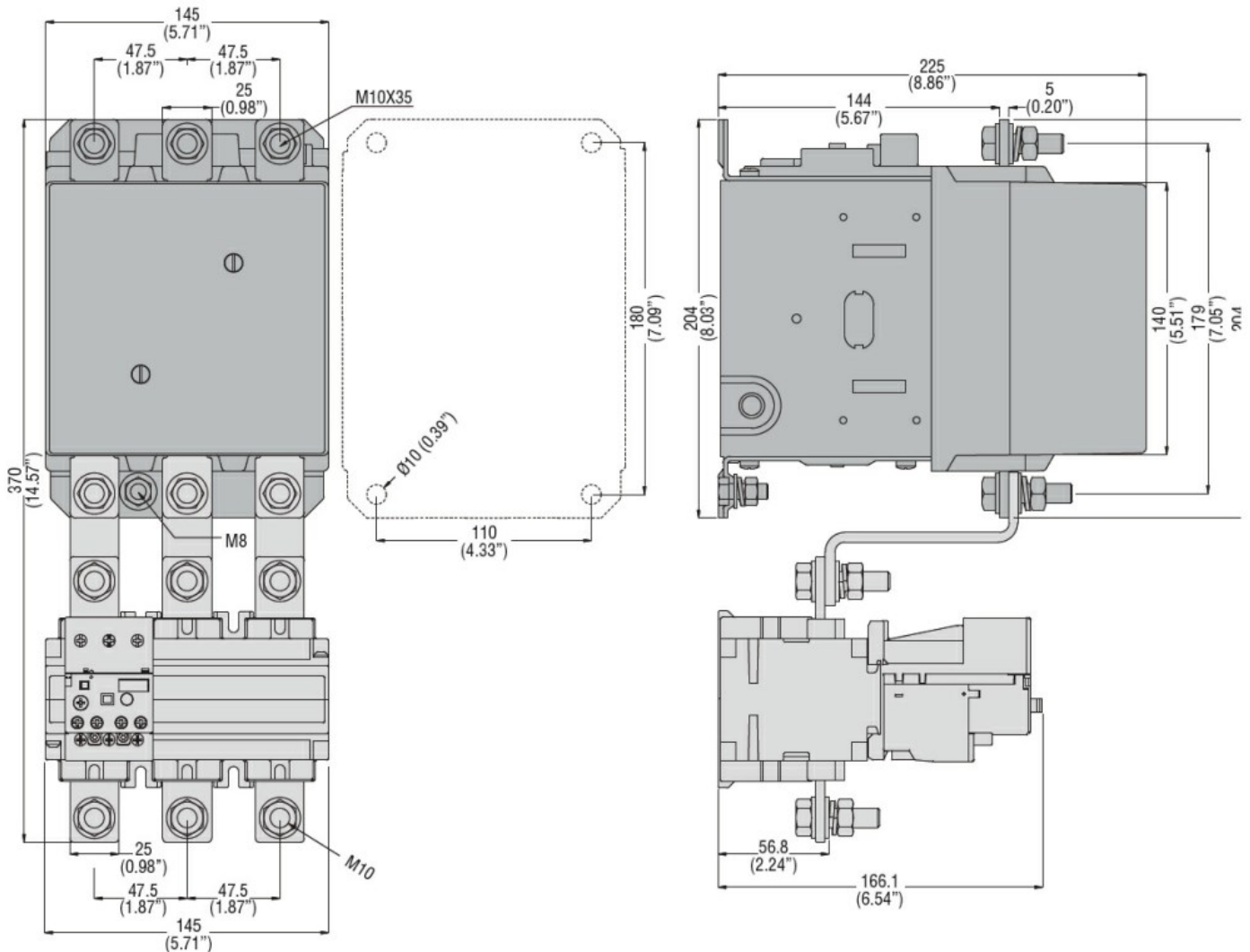




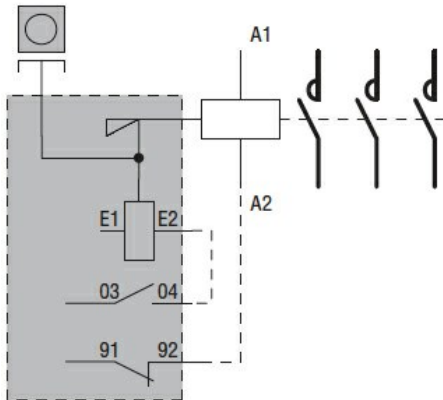
**Contact characteristics**

|                                       |             |    |      |
|---------------------------------------|-------------|----|------|
| Number of poles                       | Nr.         | 3  |      |
| Operational current Ie                |             |    |      |
|                                       | AC-4 (400V) | A  | 115  |
| Rated operational power AC-3 (T≤55°C) |             |    |      |
|                                       | 400V        | kW | 140  |
| Making capacity (RMS value)           |             | A  | 2750 |
| Breaking capacity at voltage          |             |    |      |
|                                       | 440V        | A  | 2500 |
|                                       | 500V        | A  | 2250 |
|                                       | 690V        | A  | 2200 |

**Dimensions**



**Wiring diagrams**



### Certifications and compliance

#### Compliance

CSA C22.2 n° 60947-1

CSA C22.2 n° 60947-4-1

IEC/EN 60947-1

IEC/EN 60947-4-1

UL 60947-1

UL 60947-4-1

#### Certificates

CCC

cULus

EAC