

1

2

3

4

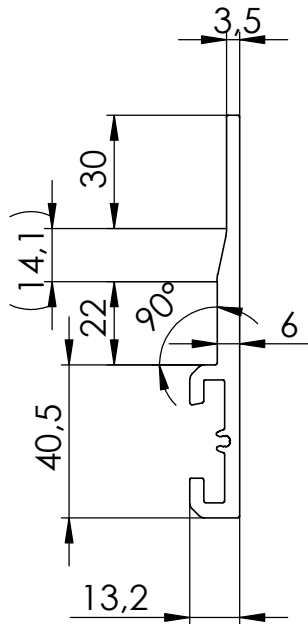
A

B

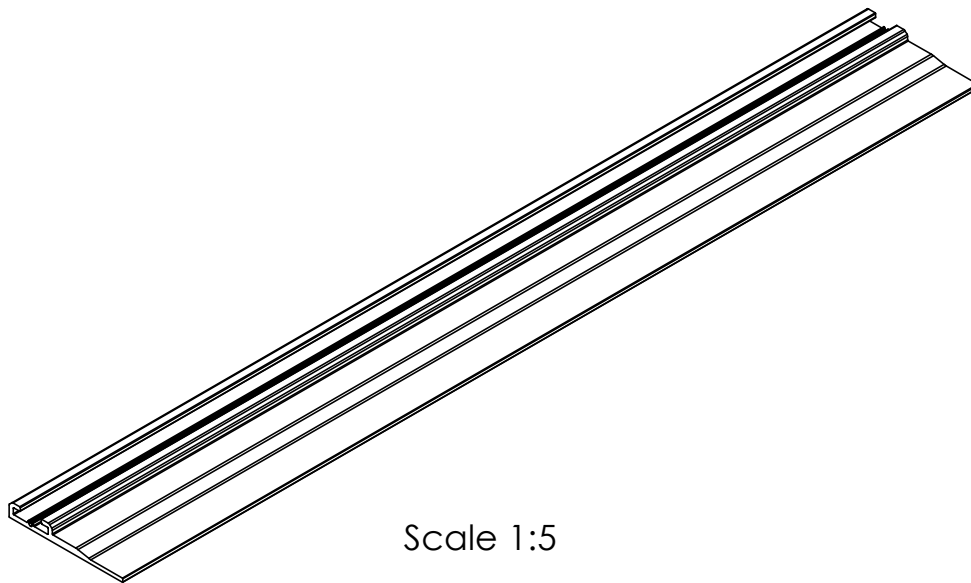
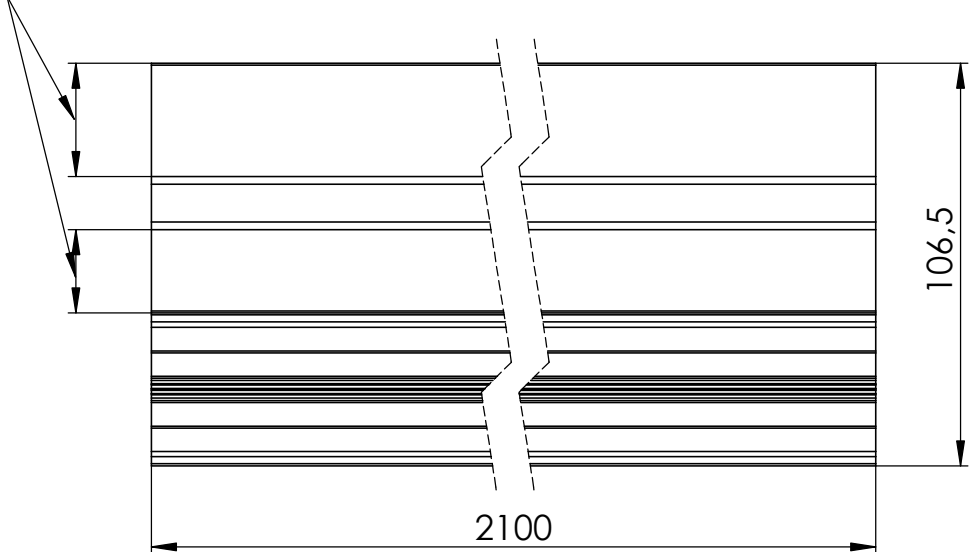
C

D

E



Hole for mounting only allowed in these areas



Scale 1:5



K2 Systems GmbH
 Industriestr. 18
 71272 Renningen
 07159/42059-0

Designation:

Data sheet
 SingleBoard

F	Name	Date	Material:	Item no.:	A4
	Designed	20.05.2019	EN AW 6063 T66	2002935	
	Approved	20.05.2019 xxx	Surface: blank	Drawing no.: 02-69-00	All dimensions in mm
	Last change		Weight: ca. 3300g/pcs. Scale: 1:2	Tolerance ISO 8015	Tolerances DIN EN 755-9

This drawing is the sole property of K2 Systems GmbH. It is protected by copyright and may only be copied, reproduced or distributed to a third party with explicit permission!