

1SNA115208R0400 ✓ ACTIVE

ENTRELEC | ENTRELEC SNA

TE Internal #: 1SNA115208R0400

Modular Terminal Blocks, Feed-Through, Screw Clamp Terminal Block, Gray, Product Spacing .236 in [6 mm], 2 Position, Screw Terminal, ENTRELEC SNA

[View on TE.com >](#)



Connectors > Terminal Blocks & Strips > Modular Terminal Blocks



Block Function: **Feed-Through**

Modular Terminal Block Product Type: **Screw Clamp Terminal Block**

Rated Cross Section: **4 mm²**

Primary Product Color: **Gray**

Features

Product Type Features

Modular Terminal Block Product Type	Screw Clamp Terminal Block
-------------------------------------	----------------------------

Configuration Features

Gauge Type	A4
Number of Levels	1
Number of Circuits	2
Block Function	Feed-Through
Number of Positions	2

Electrical Characteristics

Operating Voltage Rating (UL & CSA) (Max) - Main Circuit	600 V
Impulse Withstanding Voltage Rating (IEC)	8000 V
Dielectric Test Voltage	3500 V
Short-Time Withstanding Current Rating @ 1s	480 A
Voltage Rating	800 VAC

Body Features

--	--

Product Weight	8.2 g[.289 oz]
----------------	----------------

Primary Product Color	Gray
-----------------------	------

Contact Features

Contact Current Rating (Max)	32 A
------------------------------	------

Termination Features

Termination Method to Wire & Cable	Screw Terminal
------------------------------------	----------------

Mechanical Attachment

DIN Rail Mounting Type	G32, TH35-15, TH35-7.5
------------------------	------------------------

Tightening Torque	4.425 in-lbs
-------------------	--------------

Connector Mounting Type	DIN Rail
-------------------------	----------

Housing Features

Housing Material	Polyamide
------------------	-----------

Dimensions

Main Circuit Capacity - 1 Rigid Stranded Conductor per Screw Clamp	.2 – 4 mm ²
--	------------------------

Main Circuit Capacity - 1 Flexible Conductor per Screw Clamp	.22 – 4 mm ²
--	-------------------------

Wire Stripping Length	9.5 mm[.374 in]
-----------------------	-----------------

Main Circuit Capacity - 1 Insulated Ferrule per Screw Clamp	2.5 mm ²
---	---------------------

Main Circuit Capacity - 2 Rigid Stranded Conductors per Screw Clamp	14 AWG
---	--------

Product Depth	40.5 mm[1.594 in]
---------------	-------------------

Product Width	6 mm[.236 in]
---------------	---------------

Product Length	40.5 mm[1.594 in]
----------------	-------------------

Product Height	44.5 mm[1.752 in]
----------------	-------------------

Rated Cross Section	4 mm ²
---------------------	-------------------

Product Spacing	6 mm[.236 in]
-----------------	---------------

Wire Size	4 mm ²
-----------	-------------------

Usage Conditions

Storage Temperature Range	-55 – 110 °C[-67 – 230 °F]
---------------------------	----------------------------

Operating Temperature Range	-55 – 110 °C[-67 – 230 °F]
-----------------------------	----------------------------

Operation/Application

Circuit Application	Signal
---------------------	--------

Industry Standards



IP Rating	IP20
UL Flammability Rating	UL 94V-0

Product Compliance

[For compliance documentation, visit the product page on TE.com>](#)

EU RoHS Directive 2011/65/EU	Compliant with Exemptions
EU ELV Directive 2000/53/EC	Compliant with Exemptions
China RoHS 2 Directive MIIT Order No 32, 2016	Restricted Materials Above Threshold
EU REACH Regulation (EC) No. 1907/2006	Current ECHA Candidate List: JUNE 2022 (224) Candidate List Declared Against: JUNE 2022 (224) SVHC > Threshold: Pb (3.5% in Component Part) Article Safe Usage Statements: Do not eat, drink or smoke when using this product. Wash thoroughly after handling. Recycle if possible and dispose of the article by following all applicable governmental regulations relevant to your geographic location.
Halogen Content	Low Halogen - Br, Cl, F, I < 900 ppm per homogenous material. Also BFR/CFR/PVC Free
Solder Process Capability	Not reviewed for solder process capability

Product Compliance Disclaimer

This information is provided based on reasonable inquiry of our suppliers and represents our current actual knowledge based on the information they provided. This information is subject to change. The part numbers that TE has identified as EU RoHS compliant have a maximum concentration of 0.1% by weight in homogenous materials for lead, hexavalent chromium, mercury, PBB, PBDE, DBP, BBP, DEHP, DIBP, and 0.01% for cadmium, or qualify for an exemption to these limits as defined in the Annexes of Directive 2011/65/EU (RoHS2). Finished electrical and electronic equipment products will be CE marked as required by Directive 2011/65/EU. Components may not be CE marked. Additionally, the part numbers that TE has identified as EU ELV compliant have a maximum concentration of 0.1% by weight in homogenous materials for lead, hexavalent chromium, and mercury, and 0.01% for cadmium, or qualify for an exemption to these limits as defined in the Annexes of Directive 2000/53/EC (ELV). Regarding the REACH Regulation, the information TE provides on SVHC in articles for this part number is based on the latest European Chemicals Agency (ECHA) 'Guidance on requirements for substances in articles' posted at this URL: <https://echa.europa.eu/guidance-documents/guidance-on-reach>

Compatible Parts






TE Part # 1SNA113548R2600
PC6-10



TE Part # 1SNA114825R0500
SCFM6



TE Part # 1SNA232000R0000
RC65



TE Part # 1SNA233000R0100
RC610

TE Part # 1SNA007865R2600
FC2

TE Part # 1SNA113550R2400
EIP

TE Part # 1SNA114205R2000
AD2.5



TE Part # 1SNA116795R1100
SCFCV1-2



TE Part # 1SNA118368R1600
FEM6

TE Part # 1SNA118707R0300
SCF6

TE Part # 1SNA173627R2100
EL6

TE Part # 1SNA176816R1200
CPV1-2

TE Part # 1SNA178745R1400
CBM5

TE Part # 1SNA187312R1400
CPM

TE Part # 1SNA399903R0200
BADL

TE Part # 1SNA103619R0400
SCFEX1

Also in the Series | **ENTRELEC SNA**



Modular Terminal Blocks(182)

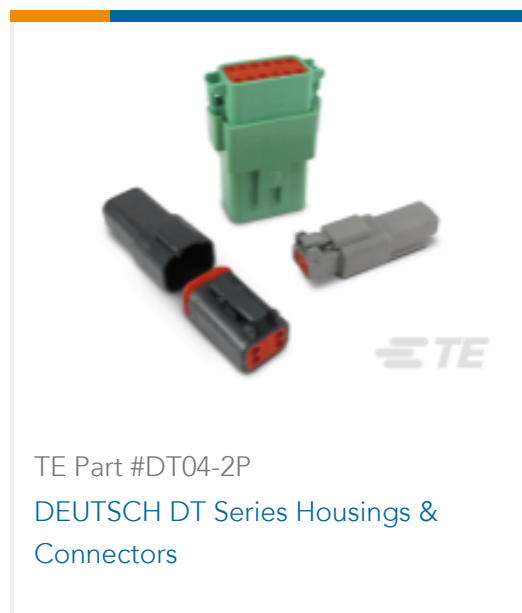
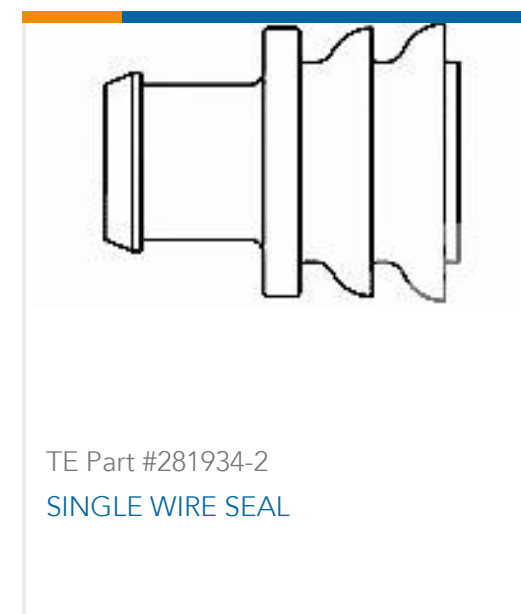


Terminal Block & Strip Conducting Accessories(26)



Terminal Block & Strip Insulating Accessories(14)

Customers Also Bought



Documents

CAD Files

3D PDF

3D

Customer View Model

[ENG_CVM_CVM_1SNA115208R0400_A.2d_dxf.zip](#)

English

Customer View Model

[ENG_CVM_CVM_1SNA115208R0400_A.3d_igs.zip](#)

English

Customer View Model

[ENG_CVM_CVM_1SNA115208R0400_A.3d_stp.zip](#)

English

By downloading the CAD file I accept and agree to the [Terms and Conditions](#) of use.

Datasheets & Catalog Pages

M4/6.C

English