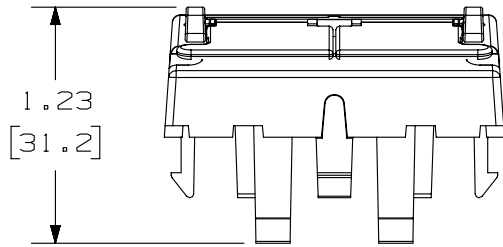
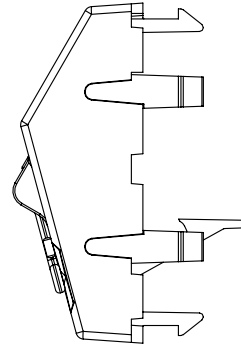
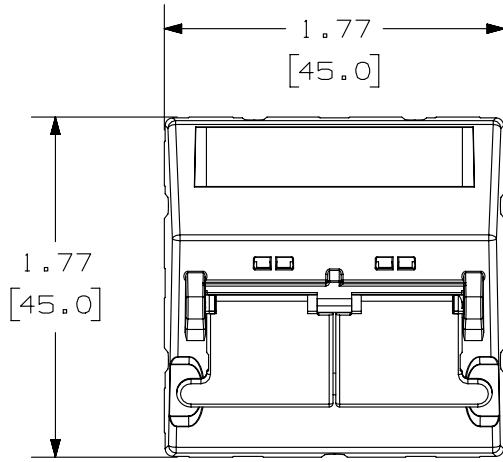


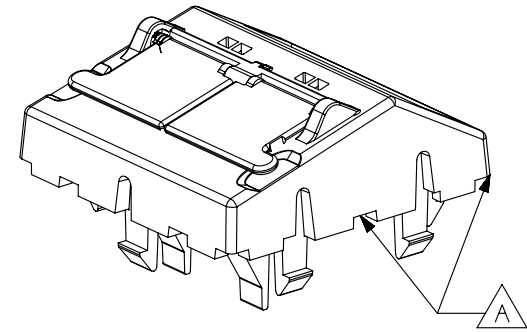
THIS COPY IS PROVIDED ON A RESTRICTED BASIS AND IS NOT TO BE USED IN ANY WAY DETRIMENTAL TO THE INTERESTS OF PANDUIT CORP.



PANDUIT P/N	WEIGHT
CFPFLS2S**	.19LB /10 PCS (88.3g /10 PCS)

NOTES:

- SEE CURRENT CATALOG FOR ADDITIONAL PART NUMBER SUFFIXES TO INDICATE COLOR AND OR PACKAGE QUANTITY.
- SEE CATALOG FOR COMPLETE LIST OF PARTS APPLICABLE FOR USE WITH THIS PART.
- DIMENSIONS IN [ ] ARE IN METRIC.
- PART INCLUDES:  
1- SHUTTERED ADAPTER  
1- LABEL  
1- LABEL COVER



PART NUMBER		CFPFLS2S**	
TITLE			
MINI-COM 2 POSITION 45 X 45mm SLOPED SHUTTERED FRENCH ADAPTER WITH LABEL AND ICON SLOTS			
CUSTOMER DRAWING			
ITEM REVISION NAME		M02615AA/01	
DATASET FILE NAME		M02615AA_DC/01B	
UNLESS OTHERWISE SPECIFIED, DIMENSIONAL TOLERANCES ARE: IN [ mm ]		MATERIAL:	
.x ± .03 [ .8 ]		ABS	
.xxx ± .010 [ .3 ]		DRAWING NUMBER:	
ANGLES ±		02615-05	
THIRD ANGLE PROJECTION		SHT 1 OF 1	
DRAWN BY	DATE	CHK	SCALE
JSP	4-30-97	TCK	NONE
REV	DATE	BY	CHK
2	4/2/14	JSP	REFR
1	7-16-07	JSP	TCK
R	4-30-97	JSP	TCK
DESCRIPTION		ECN	
B. REVISED DRAWING TITLE BLOCK.		02615-05	
A. REVISED ADAPTER, ADDED SMALL SLOT RELIEFS ON BOTTOM OF PART.\		02615-05	
RELEASED TO PRODUCTION		02615-05	

D10100DA/14