



Fiche produit

Article n° 92.297.8003.8

assemblage de câbles GST18i3KSB- 15E 80TB06

GST18i3 câble de rallonge femelle - extrémité libre, longueur 8.0 m, 3 pôle, codification selon les exigences du client sans PE, 16 A, couleur de codage bleu turquoise, couleur du soulagement de traction noir, couleur du câble noir, échantillon représentatif 1.5 mm², type de câble H05VV-F, classe Feu: Eca



Article n°	92.297.8003.8
EAN	4049088281570
Unité de commande	10 Piece(s)

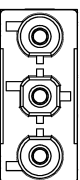
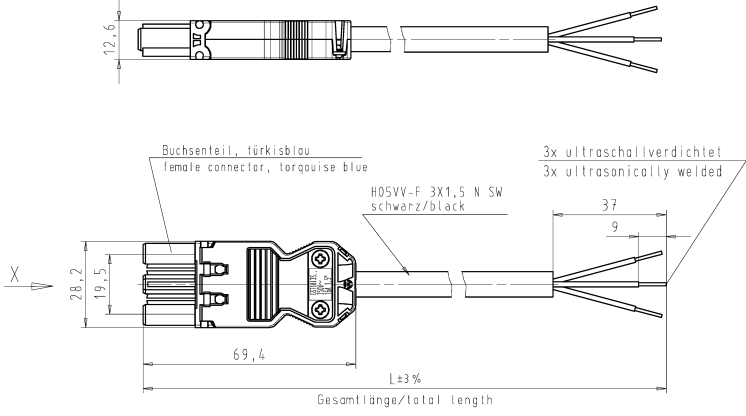
certificats/approbations

Données techniques

Remarque

Remarque	core colors with pole assignment: black (1), blue(2), brown (3)
----------	-----------------------------------------------------------------

Dessin technique

<p>These dimensions will be reported in mm if delivery</p> <p>Bitte Abmessungen in mm angeben bei Lieferung</p> <p>These dimensions will be reported in mm if delivery</p> <p>Bitte Abmessungen in mm angeben bei Lieferung</p>	<p>3 = braun/brown</p> <p>2 = blau/blue</p> <p>1 = schwarz/black</p>	<p style="text-align: center;">*X* M 2:1</p> 	 <p>Buchenteil, türkisblau female connector, torquoise blue</p> <p>H05VV-F 3X1.5 N SW schwarz/black</p> <p>3x ultraschallverdichtet 3x ultrasonically welded</p> <p>Gesamtlänge/total length</p>	<p>92.297.XX03.8 XX in dm-Schritten 92.297.1003.8 = 10dm/L= 1000mm</p> <p>92.297.XX03.8 XX in m-Schritten U2.297.1203.8 = 12 m/L=12000mm</p> <p>Weitere Daten siehe KATALOG oder eCatalog. Additional data see CATALOG or eCatalog.</p> <p>www.wieland-electric.com eshop.wieland-electric.com</p> <p>Tolerierung Size ISO 14406/Tolerance system Size ISO 14406 (This ISO-standard describes the envelope principle. According to the envelope principle the deviations of form and parallelism are limited by the size tolerance).</p> <p>Fertigtoleranz nach General tolerance</p> <p>Werkstoff/Material</p> <p>201.6 Tag/Date</p> <p>03.09.04</p> <p>01.01.11</p> <p>92.297.0203.8 01K</p> <p>www.wieland www.wieland-electric.com</p> <p>GST1813 KSB-15 -1B06</p> <p>KONFEKTLEITUNG Buchse-Stecker Schraubausführung/screw connection 250V AC 1EA 1,5mm</p>
---------------------------------------------------------------------------------------------------------------------------------------------------------------------------------------------------------------------------------	----------------------------------------------------------------------	-------------------------------------------------------------------------------------------------------------------------------------------	------------------------------------------------------------------------------------------------------------------------------------------------------------------------------------------------------------------------------------------------------------------------------------------------	------------------------------------------------------------------------------------------------------------------------------------------------------------------------------------------------------------------------------------------------------------------------------------------------------------------------------------------------------------------------------------------------------------------------------------------------------------------------------------------------------------------------------------------------------------------------------------------------------------------------------------------------------------------------------------------------------------------------------------------------------------------------------------------------------------------------------------------------------------------------------------------------------