

Part number

CKAX 03 IAPS



Angled Bulkhead mounting housing, CKA series, with 1 lever, Pg11 cable entry, size "21.21"

Product description	
Product type	Angled bulkhead mounting housing
Series	CKA
Closing type	With 1 lever
Size	Size "21.21"
Cable entry	Pg11
Technical data	
IP degree of protection	IP44 - IP66 / IP67 / IP69 with CKR 65 (D)
Further technical details	
Weight	72,00 g
Operating temperature range (min, max)	-40°C...+125°C

Material properties	
Main material	Zinc die-cast
Other materials	Lever: Stainless steel Gasket: TPE
Colour	RAL 7040 grey
RoHs conformity	Compliant
China RoHs - EFUP	E
REACH SVHC substances	No
Approvals / Standards	
UL	ECBT2
cUL	ECBT8
General ordering information	
EAN13 code	8015747027571
Packaging Information	
Packaging length	450,00 mm
Packaging height	175,00 mm
Packaging width	230,00 mm
Packaging weight	8,29 kg
Packaging volume	18,11 dm ³
Packaging description	Carton box
Packaging quantity	100 Pcs
Packaging EAN code	8015747233866
Sub-packaging length	210,00 mm
Sub-packaging height	40,00 mm
Sub-packaging width	175,00 mm
Sub-packaging weight	0,83 kg
Sub-packaging volume	1,47 dm ³
Sub-packaging description	Carton box
Sub-packaging quantity	10 Pcs
Sub-packaging EAN barcode	8015747027588

Part number

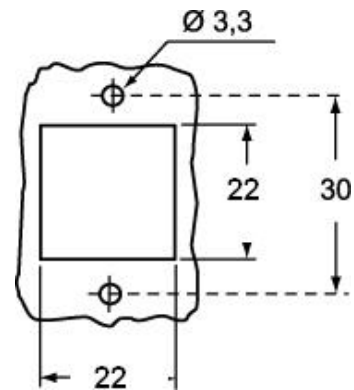
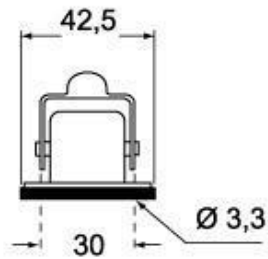
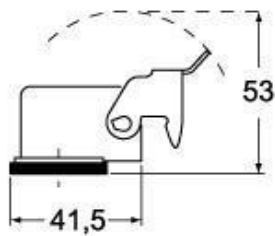
CKAX 03 IAPS



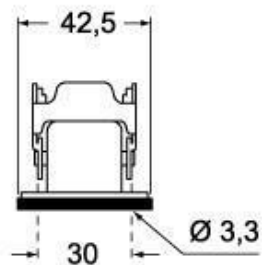
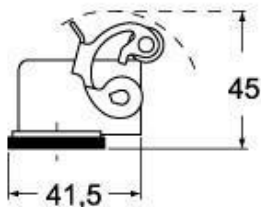
Catalogue drawings

Catalogue drawings

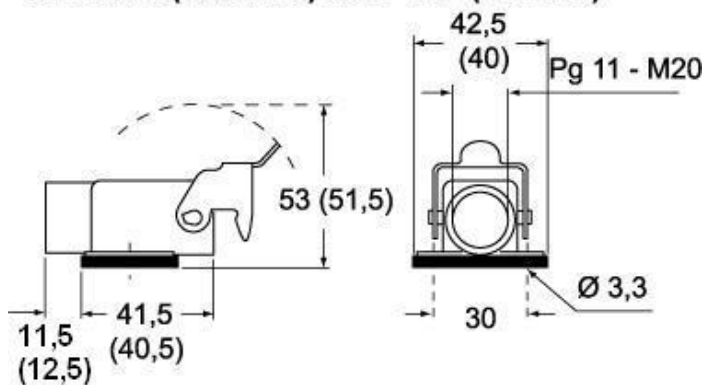
CKA IA



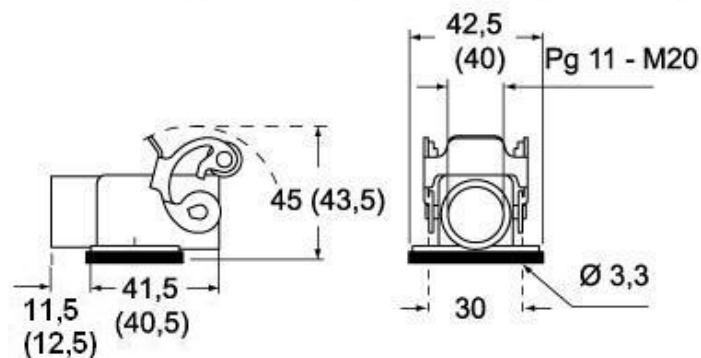
CKAX IA



CKA IAPS (CKA APS) MKA - IAP (MKA AP)



CKAX IAPS (CKAX APS) - MKAX IAP (MKAX AP)



Notes

Dimensions shown in mm are not binding and may be changed without notice.
