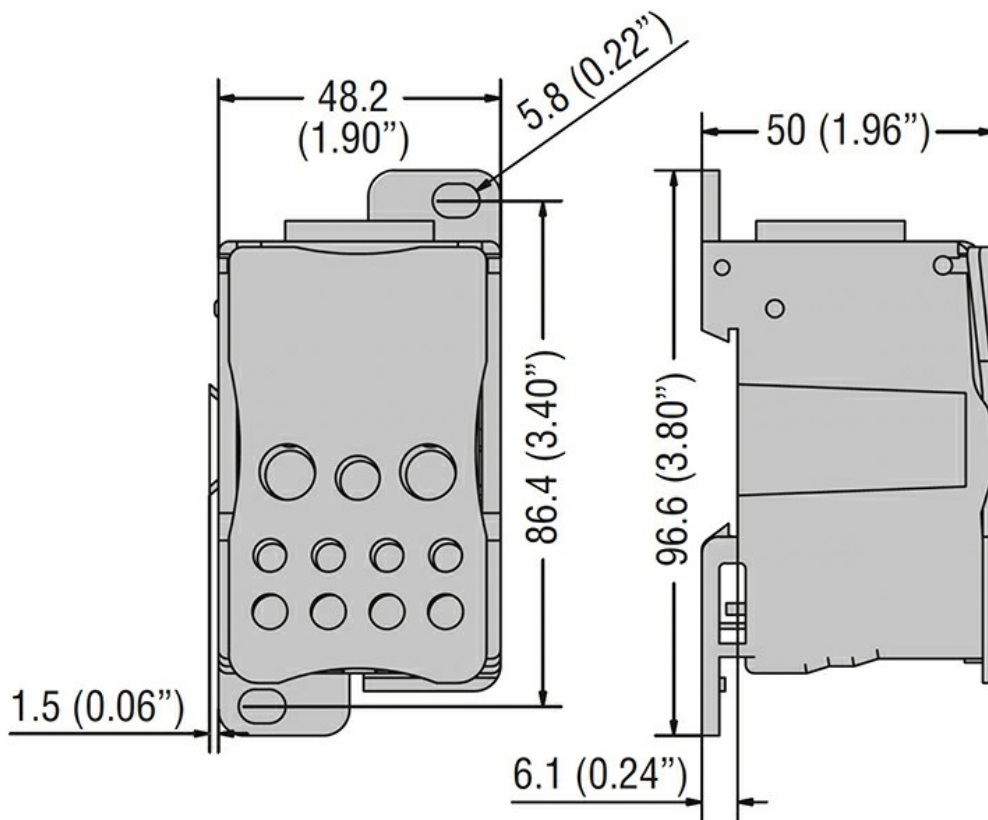




| | | |
|-----------------------------------------------|--------------------------|--------------------------|
| Product designation | Power distribution block | |
| Electrical features | | |
| Number of poles | 1 | |
| Rated insulation voltage Ui | V | 1000 |
| IEC Conventional free air thermal current Ith | A | 255 |
| Rated peak withstand current Ipk | kA | 51 |
| Rated short time current Icw 60s | A | 24.5 |
| Connections | | |
| Terminal hole diameter_Option 1 | mm | 1x16mm |
| Conductor section connectable_Option 1 | mm2 | 35...120 |
| | AWG | 6...250 Kcmil |
| Terminal hole diameter_Option 2 | mm | 2x9.5mm |
| Conductor section connectable_Option 2 | mm2 | 6...35 |
| | AWG | 14...1 |
| Terminal hole diameter_Option 3 | mm | 5x7.5mm |
| Conductor section connectable_Option 3 | mm2 | 2.5...16 |
| | AWG | 14...4 |
| Terminal hole diameter_Option 4 | mm | 4x6mm |
| Conductor section connectable_Option 4 | mm2 | 2.5...10 |
| | AWG | 14...6 |
| Mechanical features | | |
| Operating position | normal allowable | Vertical plane Any |
| Fixing | | Screw / DIN rail 35mm |
| Metric Allen Key | mm | 3-4-5-8 |
| Weight | g | 405 |
| Resistance & Protection | | |
| Terminals IP degree | IP20 front | |
| Dimensions | | |



Certifications and compliance

Certifications

IEC/EN/BS 60947-7-1

Compliance

cURus

ETIM classification

EC000066 - Power contactor, AC switching