

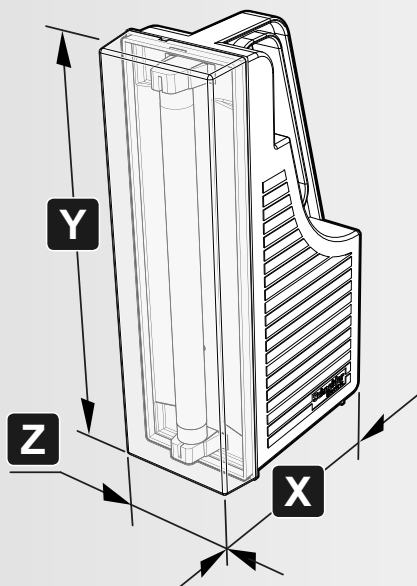
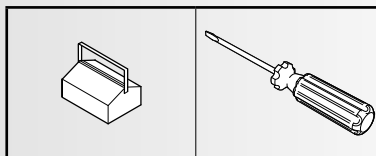
OVALUX

IP40  

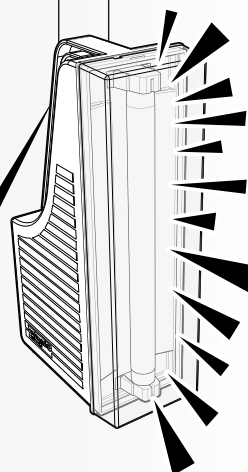
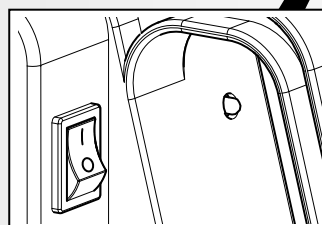
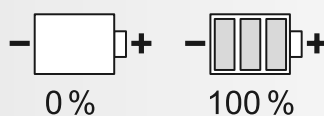
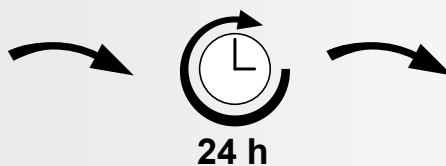
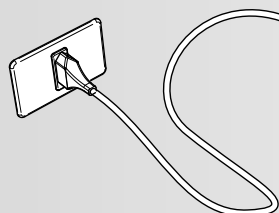
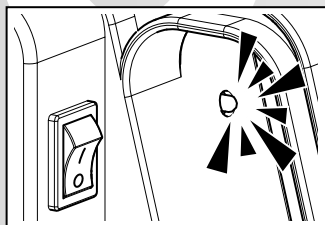
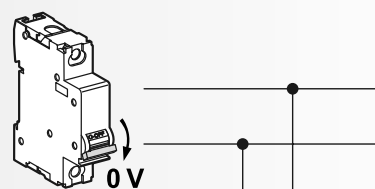
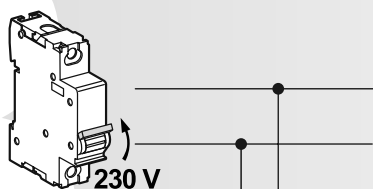
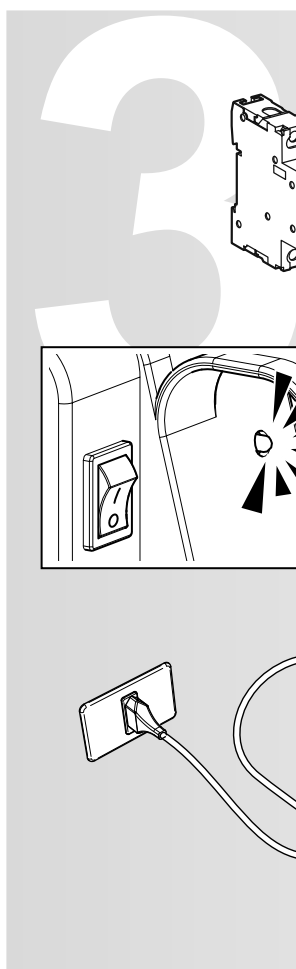


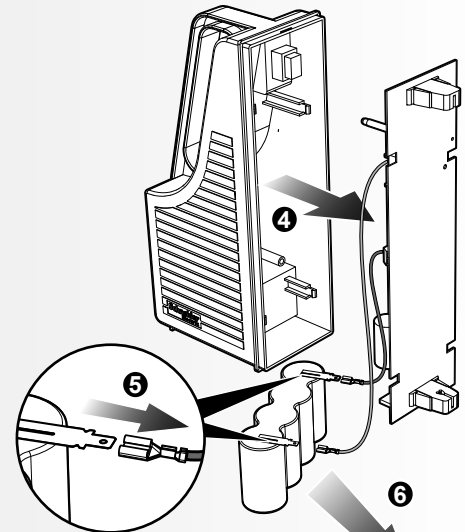
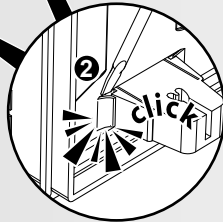
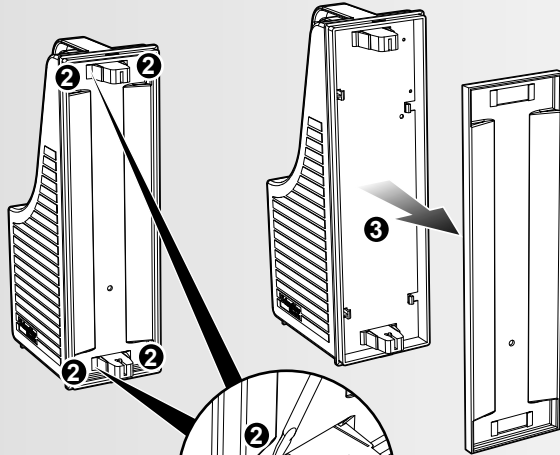
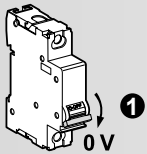
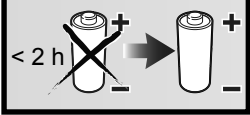
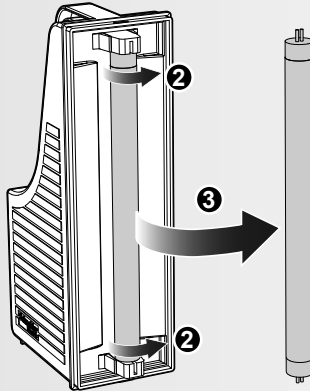
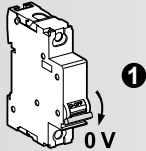
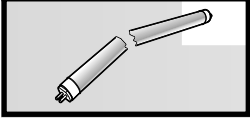
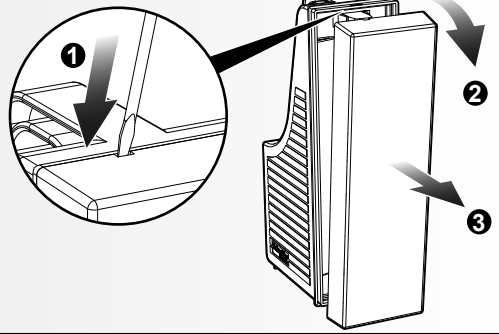
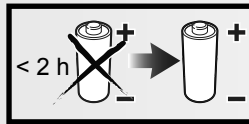
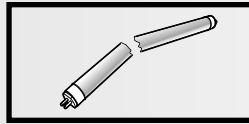
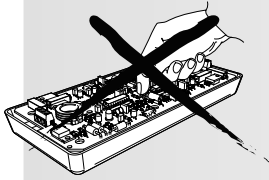
OVA42006

Schneider
Electric



X	Y	Z
136	253	77





	IP/IK							
OVA42006	40/06	4,8V 1,5Ah Ni-Cd	h 2	W 6 (G5)	VA 25	lm 70	°C 5° / +30°	Kg 0,73

