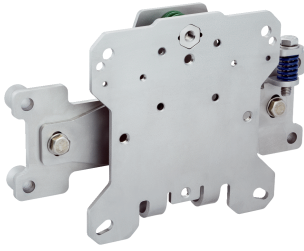


Fine adjustment bracket

SICK
Sensor Intelligence.



Ordering information

Type	Part no.
Fine adjustment bracket	2076764

Other models and accessories → www.sick.com/

Detailed technical data

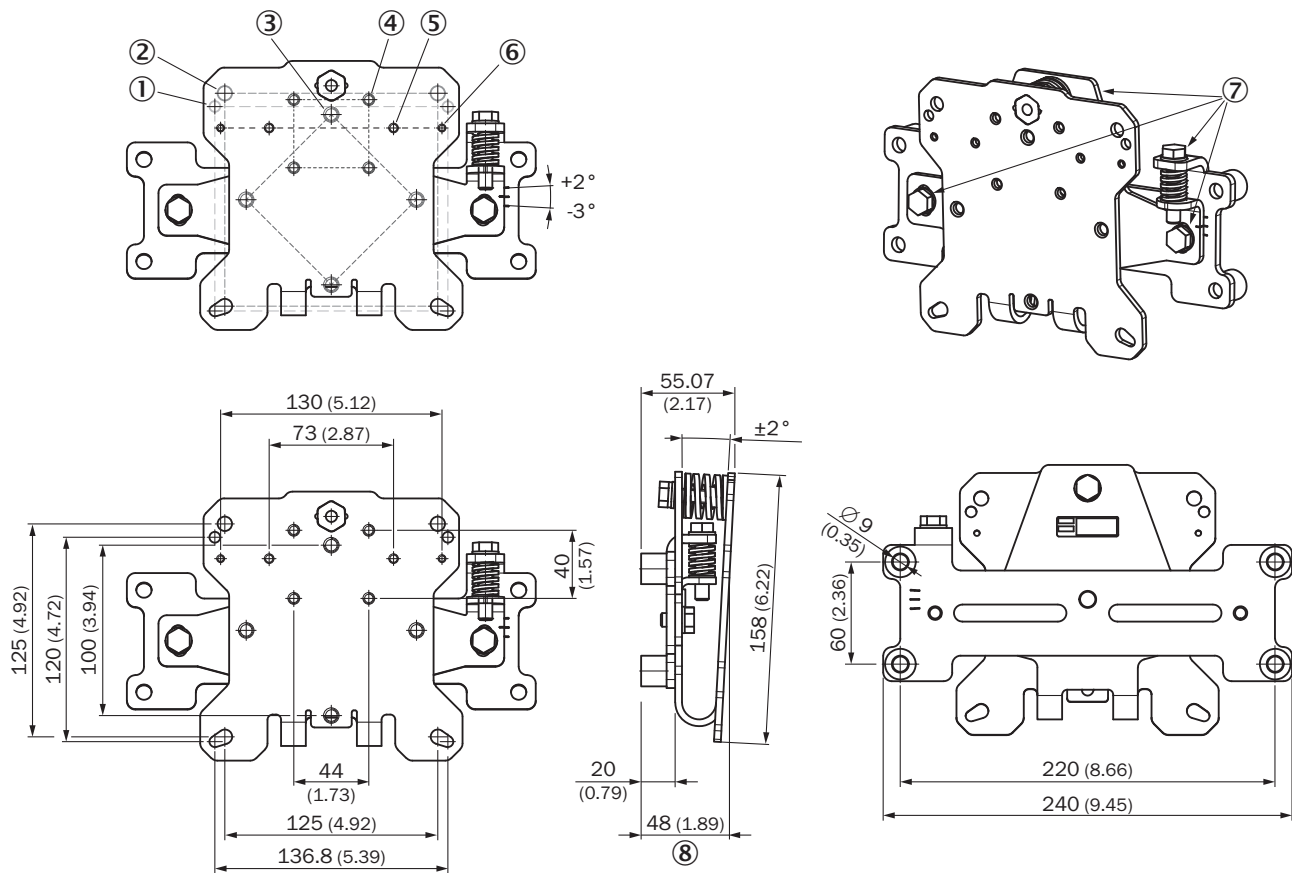
Technical specifications

Accessory group	Terminal and alignment brackets
Accessory family	Alignment brackets
Suitable for	LMS5, MRS1000, LMS1000
Material	Stainless steel V2A (1.4301)
Description	Mounting kit for fine adjustment. For LMS1000/MRS1000, always use "Mounting kit 1a 2093194" or "Mounting kit 1b 2085935" and "Adapter plate 2085937"
Weight	1.86 kg

Classifications

eCl@ss 5.0	27279202
eCl@ss 5.1.4	27279202
eCl@ss 6.0	27279202
eCl@ss 6.2	27279202
eCl@ss 7.0	27279202
eCl@ss 8.0	27279202
eCl@ss 8.1	27279202
eCl@ss 9.0	27273701
eCl@ss 10.0	27273701
eCl@ss 11.0	27273701
eCl@ss 12.0	27273701
ETIM 5.0	EC002024
ETIM 6.0	EC002024
ETIM 7.0	EC002024
ETIM 8.0	EC002024
UNSPSC 16.0901	32131023

Dimensional drawing (Dimensions in mm (inch))



- ① $\varnothing 6,4$ (4 x): LMS5xx
- ② M8 (4 x): LMS5xx, mounting kit, part number: 2018303
- ③ M8 (4 x): LMS5xx, mounting kit, part number: 2018303
- ④ M5 (2 x): LMS1xx, mounting kit 1a, part number 2034324 and mounting kit 1b, part number: 2034325
- ⑤ M5 (2 x): LMS1xx, mounting kit 1a, part number 2034324 and mounting kit 1b, part number: 2034325
- ⑥ M4 (2 x): LMS1xx, mounting kit 2, part number: 2039302
- ⑦ M8 hexagon screw SW 13 (4 x)
- ⑧ Measurement in 0° setting

SICK AT A GLANCE

SICK is one of the leading manufacturers of intelligent sensors and sensor solutions for industrial applications. A unique range of products and services creates the perfect basis for controlling processes securely and efficiently, protecting individuals from accidents and preventing damage to the environment.

We have extensive experience in a wide range of industries and understand their processes and requirements. With intelligent sensors, we can deliver exactly what our customers need. In application centers in Europe, Asia and North America, system solutions are tested and optimized in accordance with customer specifications. All this makes us a reliable supplier and development partner.

Comprehensive services complete our offering: SICK LifeTime Services provide support throughout the machine life cycle and ensure safety and productivity.

For us, that is “Sensor Intelligence.”

WORLDWIDE PRESENCE:

Contacts and other locations –www.sick.com