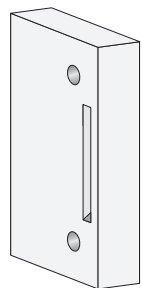
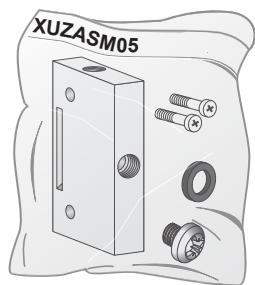


Air blower mounting block



Package Content



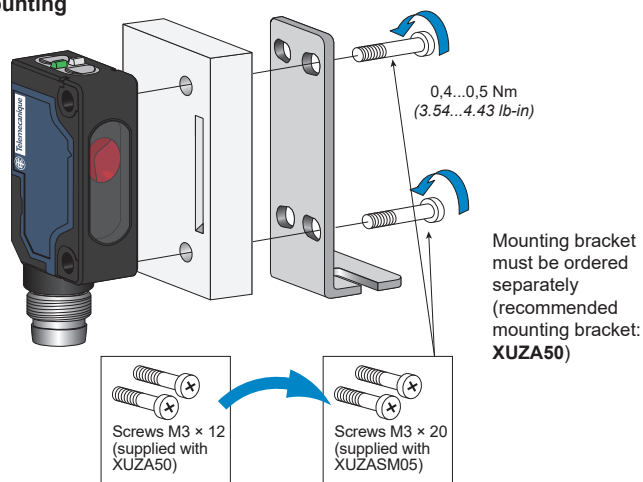
The **XUZASM05** air blower block is supplied with:

- 2 mounting screws (M3 × 20 mm).
- 1 Plugging screw for one of the 2 air supply entries (M5 × 6 mm).
- 1 gasket (Nitrile Butadiene Rubber).



http://qr.tesensors.com/XU0007

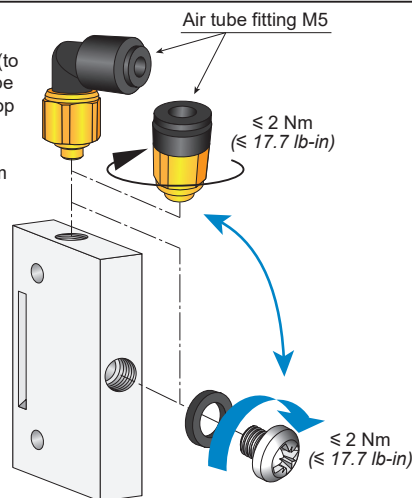
Mounting



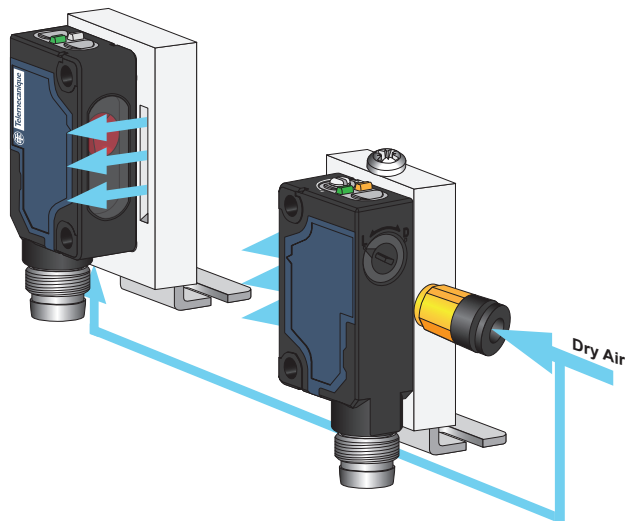
Air power supply

The air tube fitting M5 (to order separately) can be installed to either the top or side.

The pressure maximum = 0,1 to 0,3 MPa



System functioning



Dimensions

