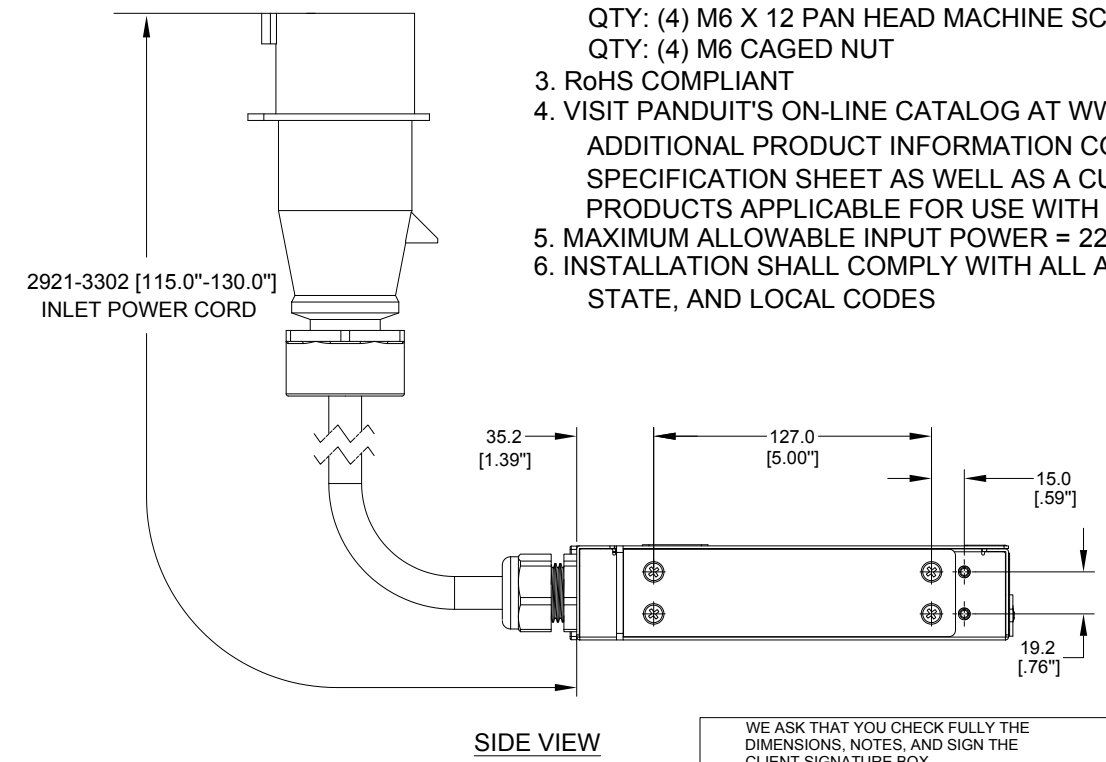
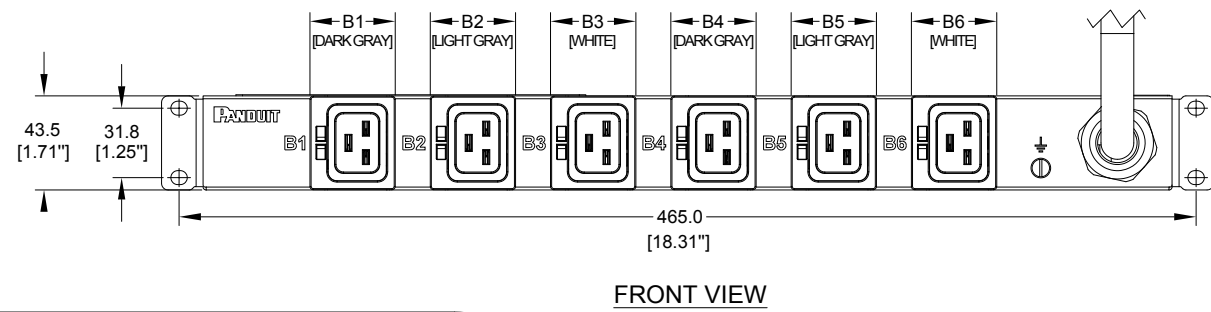
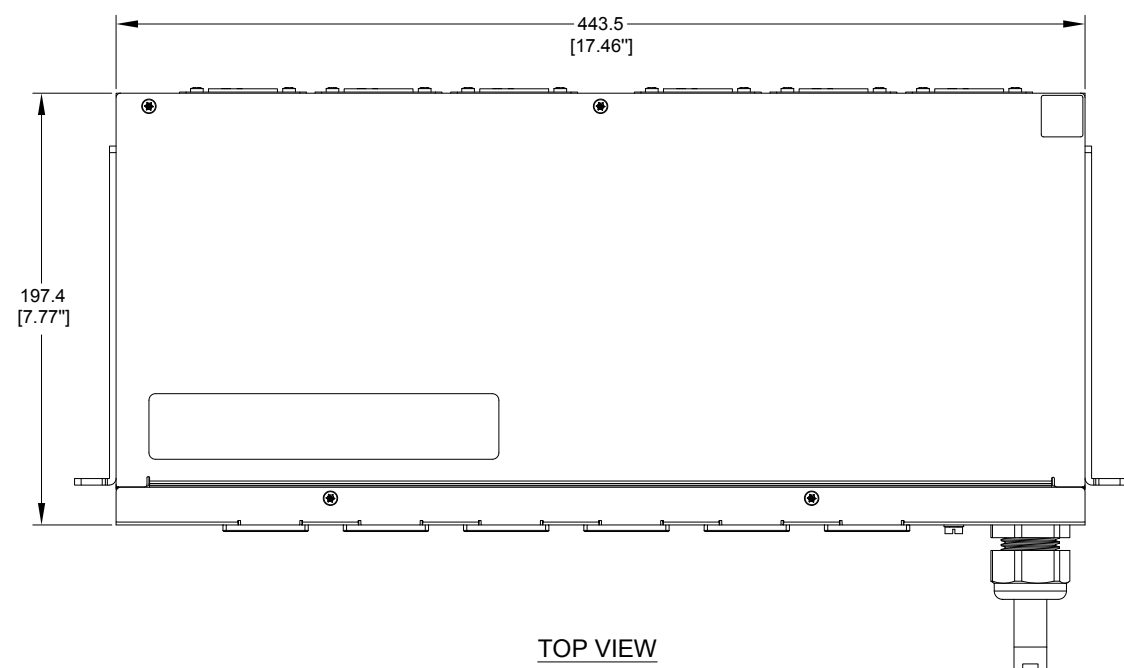
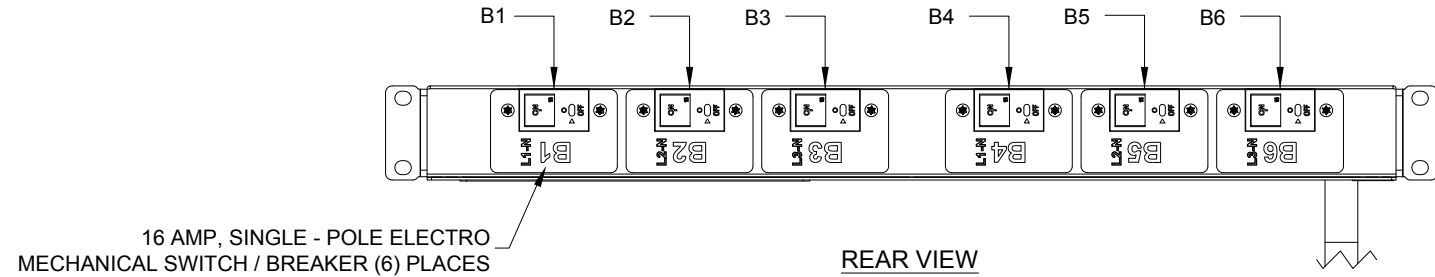


PANDUIT P/N	WEIGHT
P06B38M	4.8kg



- NOTES:**
- IDENTIFICATION:**
 - UNIT TYPE: BASIC
 - ORIENTATION: HORIZONTAL, 1U
 - OUTLET QTY&TYPE: (6) C19
 - BREAKER QTY&TYPE: (6) 16AMP, SINGLE-POLE
 - INPUT VOLTAGE: 200-240/346-415VAC, WYE
 - INPUT CURRENT: 32A
 - INPUT PHASE: THREE-PHASE WYE
 - RATED POWER: 22.0kVA
 - INPUT PLUG: IEC 60309 3P+N+E 6H 32A
 - INPUT CORD LENGTH: 3m [10']
 - ACCESSORIES:**
 - POCKET GUIDE
 - QTY: (4) M6 X 12 PAN HEAD MACHINE SCREWS
 - QTY: (4) M6 CAGED NUT
 - RoHS COMPLIANT
 - VISIT PANDUIT'S ON-LINE CATALOG AT WWW.PANDUIT.COM FOR ADDITIONAL PRODUCT INFORMATION CONTAINED IN THE SPECIFICATION SHEET AS WELL AS A CURRENT LIST OF PRODUCTS APPLICABLE FOR USE WITH THIS PART
 - MAXIMUM ALLOWABLE INPUT POWER = 22.0 kW
 - INSTALLATION SHALL COMPLY WITH ALL APPLICABLE NATIONAL, STATE, AND LOCAL CODES

PLUG
32 AMP, 230V/400V x 3~ WYE
4P/5W
IEC 60309, SOLASHPROOF IP44
2P (S); 4T (W), 6H

SIX (6) RECEPTACLES
16 AMP, 250V
STRAIGHT BLADE
IEC 60320/C19

REV	DATE	BY	CHK	APR	DESCRIPTION	ECN
01B	08/21/2017	JIANG	MIM	EDM	REVISED TOLERANCES	P06B38M
01A	06/28/2017	JIANG	MIM	EDM	INITIAL RELEASE	P06B38M

WE ASK THAT YOU CHECK FULLY THE DIMENSIONS, NOTES, AND SIGN THE CLIENT SIGNATURE BOX. THE JOB WILL NOT PROGRESS WITHOUT SIGNED APPROVAL. PLEASE DO NOT DELAY IN RETURNING PROOF AS IT WILL AFFECT DELIVERY

SIGN _____
DATE _____
PRINT _____

TITLE: BASIC SERIES PDU
P06B38M
CUSTOMER DRAWING

ITEM REVISION NAME: _____
DATASHEET FILE NAME: _____

UNLESS OTHERWISE SPECIFIED
DIMENSIONAL TOLERANCE ARE: mm [IN]

Tolerance(mm)	
0<L<50	±0.5
50<L<250	±1.0
250<L<500	±1.5
500<L<1000	±2.5
1000<L<2000	±4.0

THIRD ANGLE PROJECTION

MATERIAL/COLOR: N/A

DRAWING NUMBER: P06B38M_DC

DRAWN BY: JIANG DATE: 05/24/2017 CHK: SEAN SCALE: NONE

SHT 1 OF 1

SCALE: B