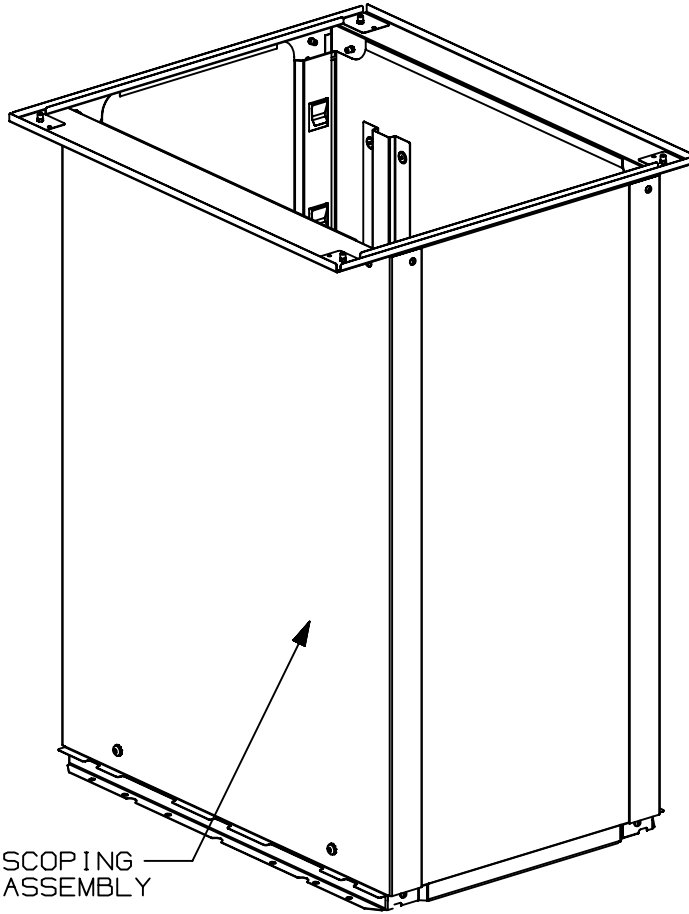


THIS COPY IS PROVIDED ON A RESTRICTED BASIS AND IS NOT TO BE USED IN ANY WAY DETRIMENTAL TO THE INTERESTS OF PANDUIT CORP.

NOTES:

1. VISIT OUR ONLINE CATALOG AT WWW.PANDUIT.COM FOR A LIST OF USE WITH THIS PRODUCT.
2. PRIMARY DIMENSIONS ARE IN MILLIMETERS (mm) DIMENSIONS IN PARENTHESES ARE IN INCHES (IN).
3. PARTS SUPPLIED:
 - 2 - BOTTOM SIDE PANELS
 - 2 - TOP SIDE PANELS
 - 1 - TOP FRONT PANEL
 - 1 - TOP REAR PANEL
 - 2 - BOTTOM FRONT AND REAR PANELS
 - 2 - HORIZONTAL ADJUSTMENT BRACKETS
 - 1 - HARDWARE KIT



PANDUIT PART NO.	HEIGHT	FOR USE WITH CABINET SIZE (WIDTH X DEPTH)
C2VED06I1626XX	406mm [16"] - 660mm [26"]	600mm X 1200mm
C2VED06I2638XX	660mm [26"] - 965mm [38"]	600mm X 1200mm
C2VED06I3866XX	965mm [38"] - 1676mm [66"]	600mm X 1200mm
C2VED07I1626XX	406mm [16"] - 660mm [26"]	700mm X 1200mm
C2VED07I2638XX	660mm [26"] - 965mm [38"]	700mm X 1200mm
C2VED07I3866XX	965mm [38"] - 1676mm [66"]	700mm X 1200mm
C2VED08I1626XX	406mm [16"] - 660mm [26"]	800mm X 1200mm
C2VED08I2638XX	660mm [26"] - 965mm [38"]	800mm X 1200mm
C2VED08I3866XX	965mm [38"] - 1676mm [66"]	800mm X 1200mm

*XX = COLOR
 B1 = BLACK
 W1 = WHITE
 G1 = GREY

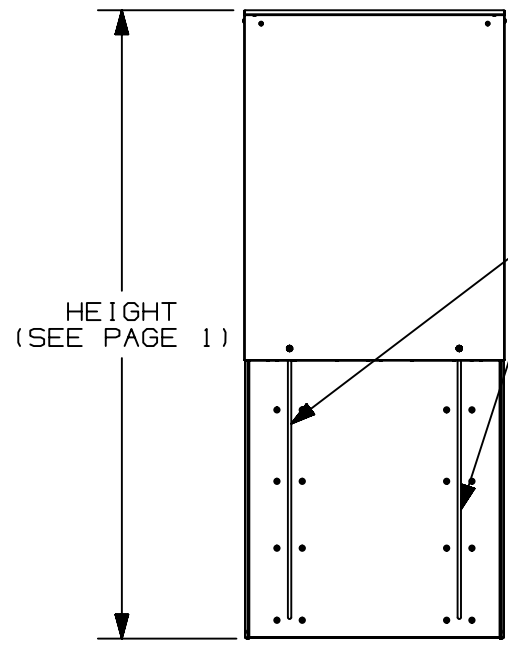


REV	DATE	BY	CHK	APR	DESCRIPTION	ECN
01B	11-13-19	LEE	RAMA	SJP	D. ADDED GREY TO PART NO. COLOR CODE (SHT 1)	V09002DW/00
01A	02/11/13	ERK			C. UPDATED PARTS SUPPLIED LIST B. ADDED SHEET 4 A. UPDATED TO REFLECT NEW GEOMETRY AND HARDWARE	12V285ZV
00A	10/16/12	PJST	BKR	BKR	RELEASED TO PRODUCTION	12V285ZV

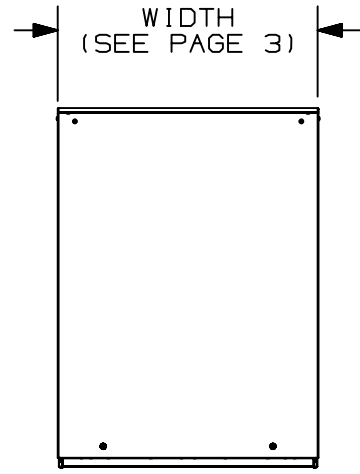
NET-CONTAIN VERTICAL EXHAUST DUCT FOR N OR S TYPE CABINETS					
CUSTOMER DRAWING					
ITEM REVISION NAME			12V285ZV/01		
DATASET FILE NAME			12V285ZV_DC/01B		
DRAWN BY			DATE	CHK	SCALE
PJST			10/16/12	BKR	N/A
MATERIAL:			N/A		
DRAWING NUMBER:			12V285ZV		
SHT 1 OF 4			A		

D10100DA/12

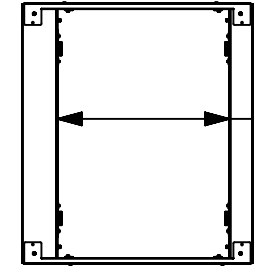
THIS COPY IS PROVIDED ON A RESTRICTED BASIS AND IS NOT TO BE USED IN ANY WAY DETRIMENTAL TO THE INTERESTS OF PANDUIT CORP.



FRONT VIEW (EXPANDED)

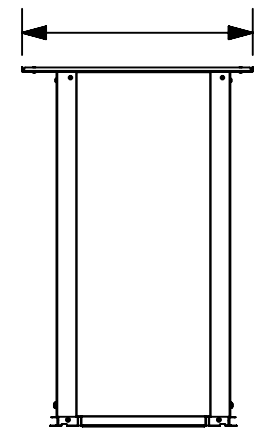


FRONT VIEW (COLLAPSED)



TOP VIEW

453
[17.8]
(FOR ALL SIZES)



SIDE VIEW

610
[24.0]
(FOR ALL SIZES)



TITLE												
NET-CONTAIN VERTICAL EXHAUST DUCT FOR N OR S TYPE CABINETS												
CUSTOMER DRAWING												
ITEM REVISION NAME								12V285ZV/01				
DATASET FILE NAME								12V285ZV_DC/01B				
MATERIAL:								N/A				
DRAWING NUMBER:								12V285ZV				
REV	DATE	BY	CHK	APR	DESCRIPTION	ECN	DRAWN BY	DATE	CHK	SCALE	SHT 2 OF 4	SIZE
01B	11-13-19	LEE	RAMA	SJP	SEE SHEET 1 OF 4 FOR REVISIONS	V09002DW/00	PJST	10/16/12	BKR	N/A		A
--	---	--			SEE SHEET 1 OF 4 FOR REVISIONS	12V285AP						

D10100DA/12

2


1

THIS COPY IS PROVIDED ON A RESTRICTED BASIS AND IS NOT TO BE USED IN ANY WAY DETRIMENTAL TO THE INTERESTS OF PANDUIT CORP.

PANDUIT PART NO.	WIDTH	WEIGHT
C2VED06I1626XX	588mm [23.1"]	12.13 Kg (26.7 LBS) EA.
C2VED06I2638XX	588mm [23.1"]	17.35 Kg (38.2 LBS) EA.
C2VED06I3866XX	588mm [23.1"]	28.33 Kg (62.4 LBS) EA.
C2VED07I1626XX	688mm [27.1"]	13.10 Kg (28.8 LBS) EA.
C2VED07I2638XX	688mm [27.1"]	18.64 Kg (41.0 LBS) EA.
C2VED07I3866XX	688mm [27.1"]	30.48 Kg (67.2 LBS) EA.
C2VED08I1626XX	788mm [31.0"]	14.07 Kg (31.0 LBS) EA.
C2VED08I2638XX	788mm [31.0"]	20.00 Kg (44.0 LBS) EA.
C2VED08I3866XX	788mm [31.0"]	32.72 Kg (72.1 LBS) EA.



REV	DATE	BY	CHK	APR	DESCRIPTION	ECN
01B	11-13-19	LEE	RAMA	SJP	SEE SHEET 1 OF 4 FOR REVISIONS	V09002DW/00
--	---	--			SEE SHEET 1 OF 4 FOR REVISIONS	12V285AP

TITLE		NET-CONTAIN VERTICAL EXHAUST DUCT FOR N OR S TYPE CABINETS CUSTOMER DRAWING	
ITEM REVISION NAME			
12V285ZV/01			
DATASET FILE NAME			
12V285ZV_DC/01B			
MATERIAL:		N/A	
DRAWING NUMBER:		12V285ZV	
DRAWN BY	DATE	CHK	SCALE
PJST	10/16/12	BKR	N/A
SHT 3 OF 4		SIZE	
		A	

2

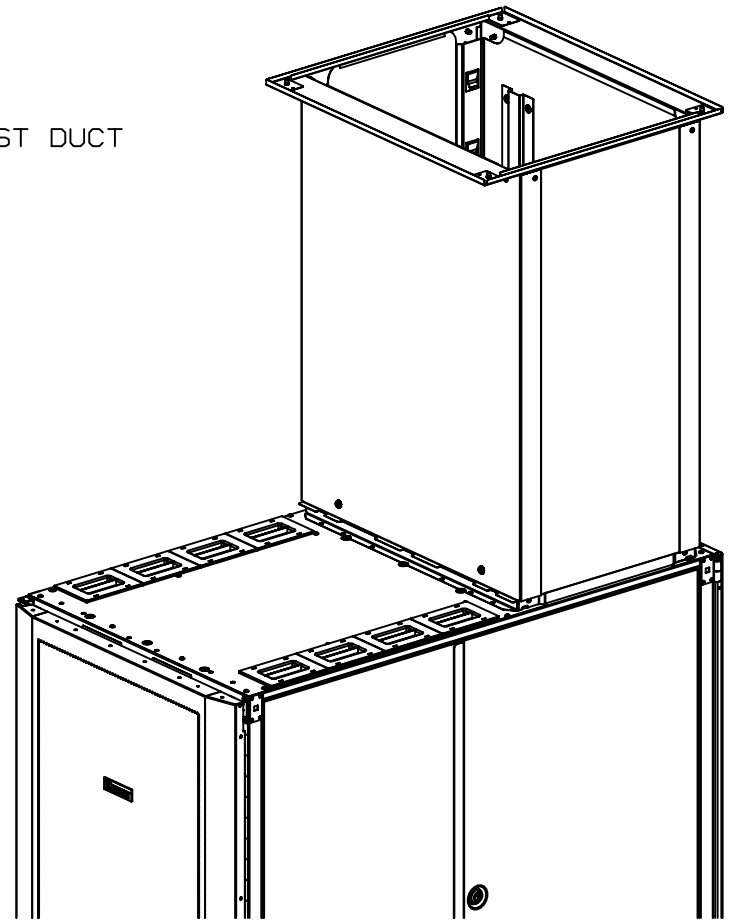
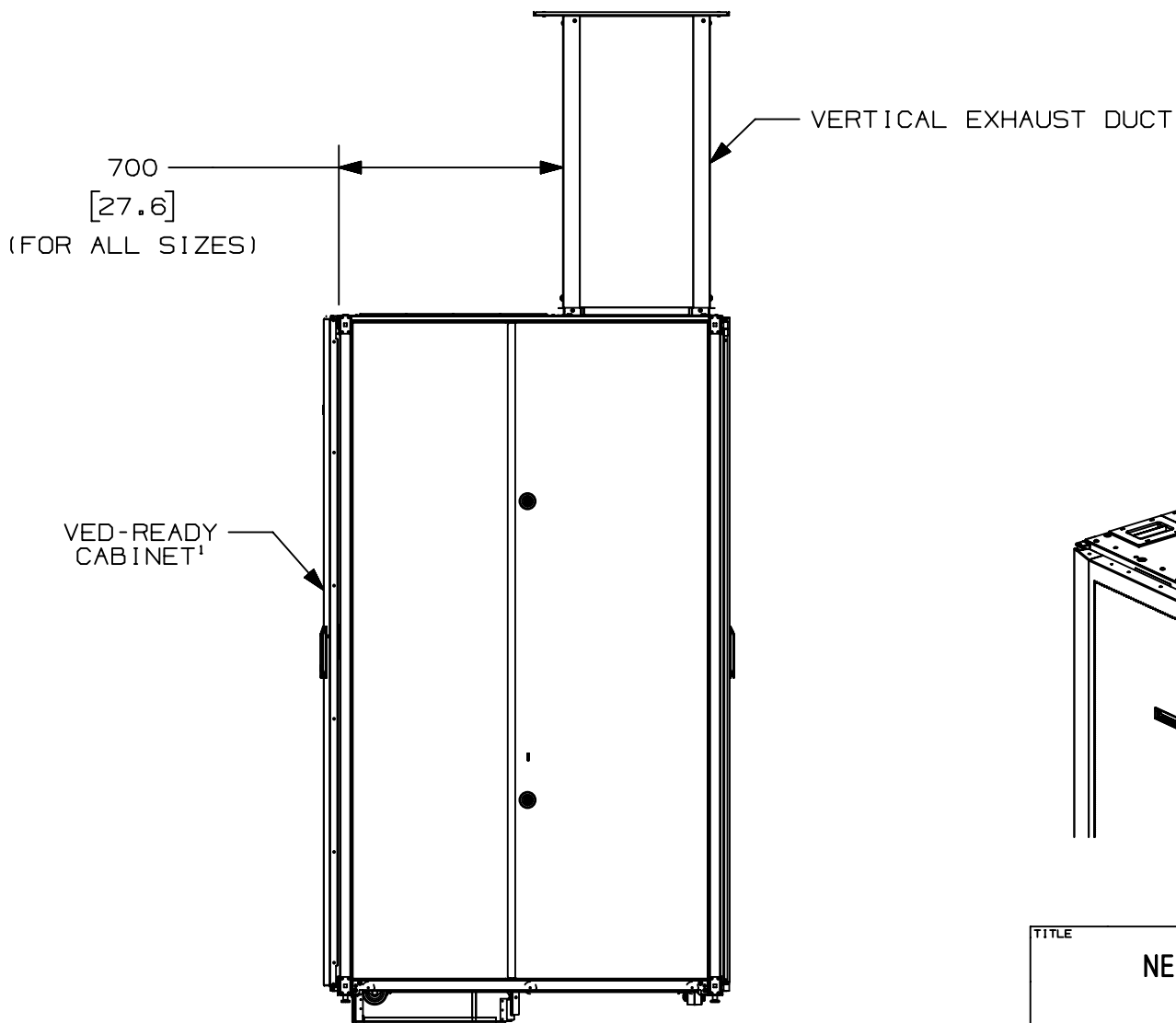
1

D10100DA/12

2

1

THIS COPY IS PROVIDED ON A RESTRICTED BASIS AND IS NOT TO BE USED IN ANY WAY DETRIMENTAL TO THE INTERESTS OF PANDUIT CORP.



1. THE NET-CONTAIN™ VERTICAL EXHAUST DUCT CAN ONLY BE USED WITH A VED-READY TYPE CABINET (PURCHASED SEPARATELY).

TITLE										
NET-CONTAIN VERTICAL EXHAUST DUCT FOR N OR S TYPE CABINETS										
CUSTOMER DRAWING										
ITEM REVISION NAME					12V285ZV/01					
DATASET FILE NAME					12V285ZV_DC/01B					
MATERIAL:					N/A					
DRAWING NUMBER:					12V285ZV					
DRAWN BY	DATE	CHK	SCALE	SHT 4 OF 4						SIZE
PJST	10/16/12	BKR	N/A							A

01B	11-13-19	LEE	RAMA	SJP	SEE SHEET 1 OF 4 FOR REVISIONS	V09002DW/00
--	---	--			SEE SHEET 1 OF 4 FOR REVISIONS	12V285AP
REV	DATE	BY	CHK	APR	DESCRIPTION	ECN

2

1

D10100DA/12