

Part number

# MKG VN25



Hood, CK series, with 2 pegs, M25 top cable entry, size "21.21", black colour

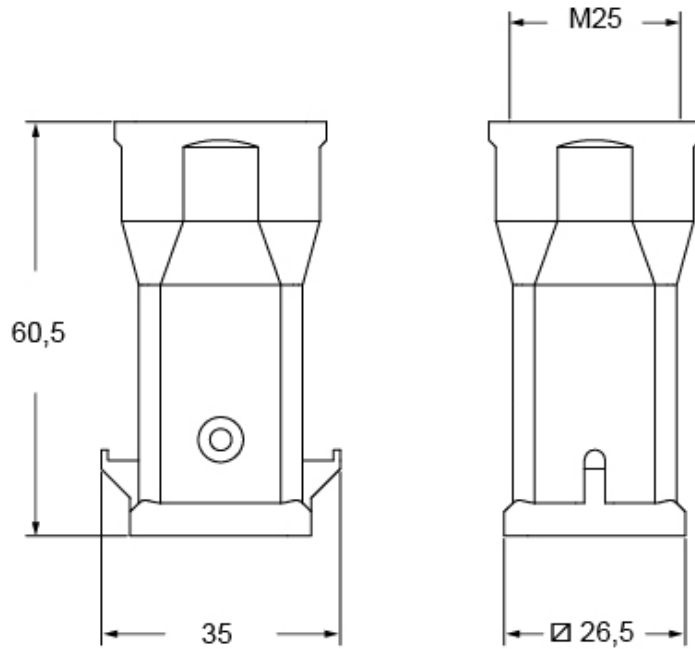
Product description		Material properties	
<b>Product type</b>	Hood	<b>Other materials</b>	Gasket: TPE
<b>Series</b>	CK	<b>Colour</b>	RAL 9005 black
<b>Closing type</b>	With 2 pegs	<b>RoHs conformity</b>	Compliant
<b>Size</b>	Size "21.21"	<b>China RoHs - EFUP</b>	E
<b>Cable entry</b>	Top cable entry M25	<b>REACH SVHC substances</b>	No
<b>Specification</b>	With gasket	Approvals / Standards	
Technical data		<b>UL</b>	ECBT2
<b>IP degree of protection</b>	IP44 - IP66 / IP67 / IP69 with CKR 65 (D)	<b>cUL</b>	ECBT8
Further technical details		General ordering information	
<b>Weight</b>	13,50 g	<b>EAN13 code</b>	8015747263146
<b>Operating temperature range (min, max)</b>	-40°C...+125°C	<b>eCl@ss 8.1</b>	27440202
		<b>ETIM 7.0</b>	EC000437
		Packaging Information	
		<b>Packaging length</b>	365,00 mm
		<b>Packaging height</b>	125,00 mm
		<b>Packaging width</b>	225,00 mm
		<b>Packaging weight</b>	2,09 kg
		<b>Packaging volume</b>	10,27 dm <sup>3</sup>
		<b>Packaging description</b>	Carton box
		<b>Packaging quantity</b>	100 Pcs
		<b>Packaging EAN code</b>	8015747263153
		<b>Sub-packaging weight</b>	0,21 kg
		<b>Sub-packaging description</b>	Carton box
		<b>Sub-packaging quantity</b>	10 Pcs
		<b>Sub-packaging EAN barcode</b>	8015747263160

Part number

# MKG VN25



## Catalogue drawings



---

## Notes

Dimensions shown in mm are not binding and may be changed without notice.

---